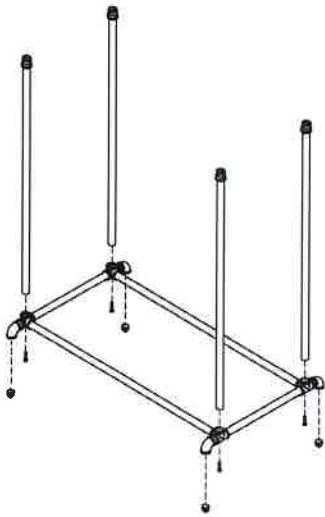


STP1  
Assembling Process  
#9468

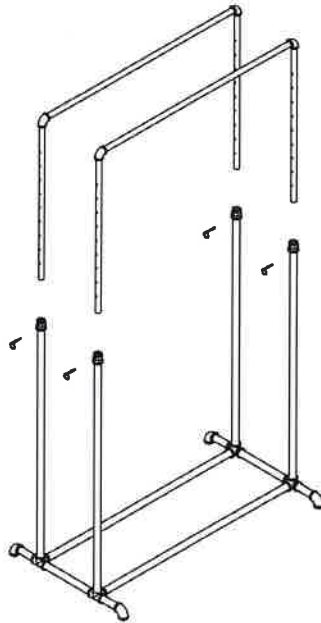


 4 PCS

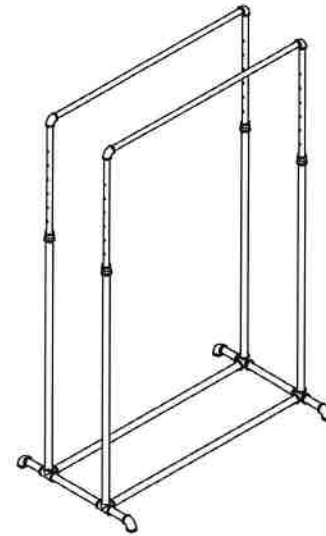
 4 PCS

 4PCS

STP2



STP3



**PDi**  
PALAY DISPLAY INDUSTRIES