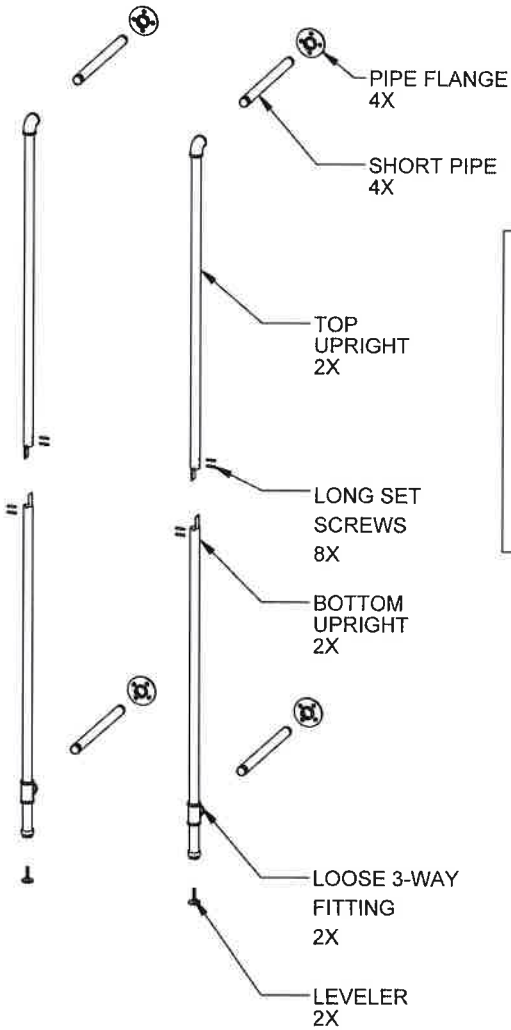


ASSEMBLY INSTRUCTIONS:
9358

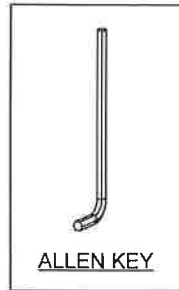
PARTS LIST



**NOT INCLUDED
TOOLS REQUIRED
FOR ASSEMBLY**

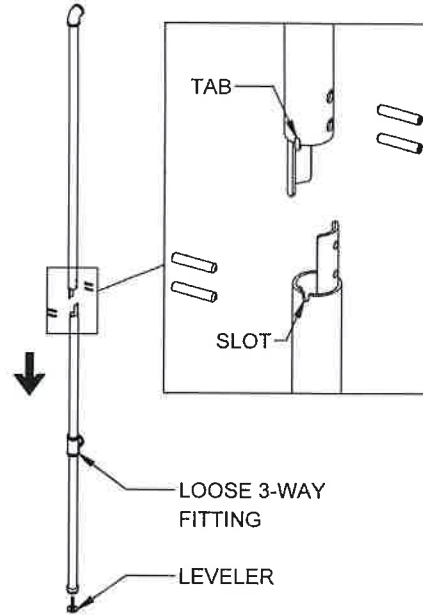
- TAPE MEASURE
- BUBBLE LEVEL OR LASER LEVEL
- 16x COUNTERSUNK WOOD SCREWS OR DRYWALL ANCHORS WITH SCREWS WITH AT LEAST AN 80 LBS RATING. (MAX SCREW SIZE #12)
- LADDER

INCLUDED TOOLS



1

THIS ASSEMBLY WILL REQUIRE AT LEAST 2 PEOPLE



- INSTALL LEVELER WITH APPROXIMATELY 3/8" OF THREAD EXPOSED.

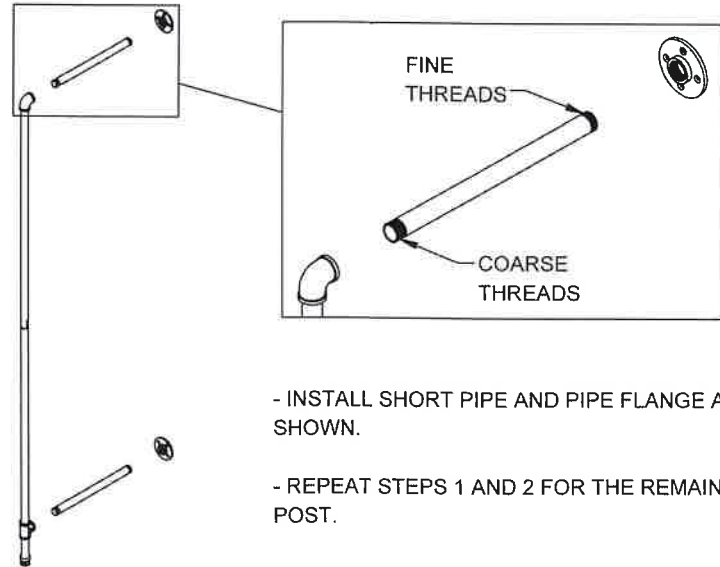
- SLIDE THE LOOSE 3-WAY PIPE FITTING ONTO THE BOTTOM UPRIGHT IF IT ISN'T ALREADY INSTALLED.

- LAY THE UPRIGHT HALVES ON THE FLOOR AND JOIN TOGETHER AS SHOWN.

- SECURE WITH 4 LONG SET SCREWS AS SHOWN.

NOTE: THE SCREWS SHOULD BE TIGHTENED WHILE A HELPER HOLDS THE TWO HALVES TOGETHER TIGHTLY.

2

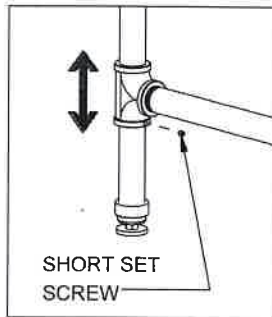


- INSTALL SHORT PIPE AND PIPE FLANGE AS SHOWN.

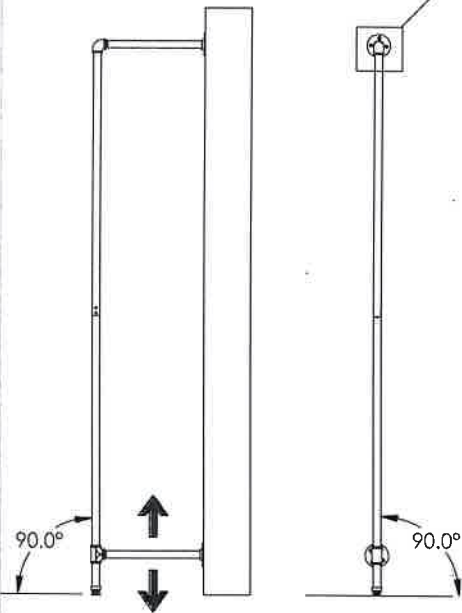
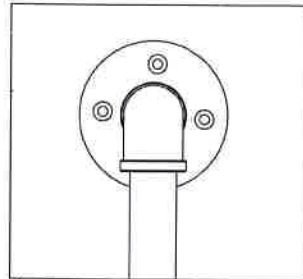
- REPEAT STEPS 1 AND 2 FOR THE REMAINING POST.

3

SECURING LOWER CONNECTOR

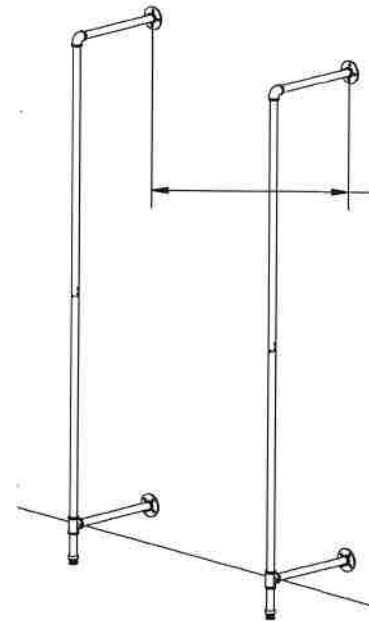


IDEAL FLANGE ORIENTATION



- WITH AT LEAST 2 PEOPLE, POSITION THE ASSEMBLED UPRIGHT AGAINST THE WALL.
 - ADJUST THE LOWER CONNECTOR TO AVOID ANY WALL MOLDINGS AND SECURE THE HEIGHT BY TIGHTENING THE INSTALLED SHORT SET SCREW.
 - USING A LEVEL, CHECK THAT THE POST IS PLUMB.
 - MARK AND SECURE THE WALL FLANGES TO THE WALL AS REQUIRED WITH APPROPRIATE HARDWARE.
- NOTE: FOR MAXIMUM STRENGTH, THE PIPE FLANGE SHOULD BE ORIENTED AS SHOWN ABOVE.**
- BE SURE THE LEVELER IS FIRMLY CONTACTING THE FLOOR. IF NOT, UNTHREAD UNTIL IT IS.

4

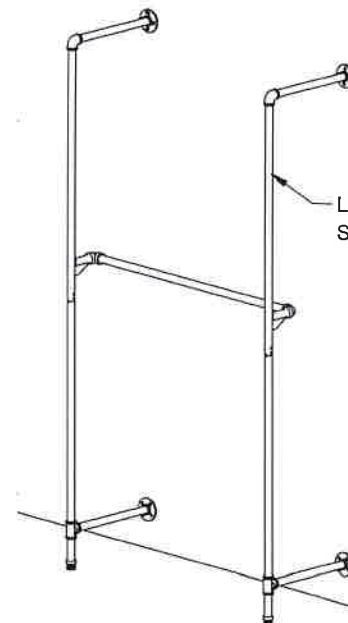


ON CENTER DISTANCE MUST MATCH ACCESSORIES

- THE REMAINING UPRIGHT MUST BE POSITIONED SO THE DESIRED ACCESSORIES CAN BE USED.
- FOLLOW THE PRIOR STEPS TO ASSEMBLE AND INSTALL ANY REMAINING POSTS.

NOTE: STANDARD ACCESSORY SIZES ARE 24" AND 48" O.C.

4a



RECOMMENDED BUT NOT MANDATORY

- IT IS RECOMMENDED TO LOOSELY SECURE THE NEXT POST TO THE WALL SO AN ACCESSORY CAN BE TESTED.
- IF IT IS DIFFICULT TO INSTALL OR REMOVE, THE UPRIGHT MAY NEED TO BE ADJUSTED.
- IF THE ACCESSORY IS NOT LEVEL, THE UPRIGHT LEVELERS MAY NEED TO BE ADJUSTED.
- IF ACCESSORIES ARE NOT AVAILABLE, USE A TAPE MEASURE TO CHECK THE ON CENTER DISTANCE.