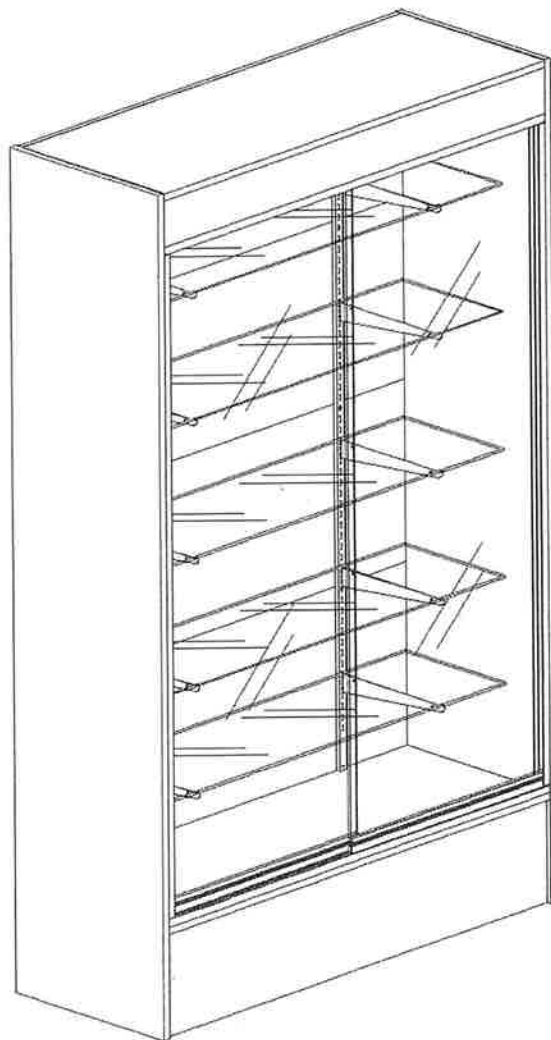
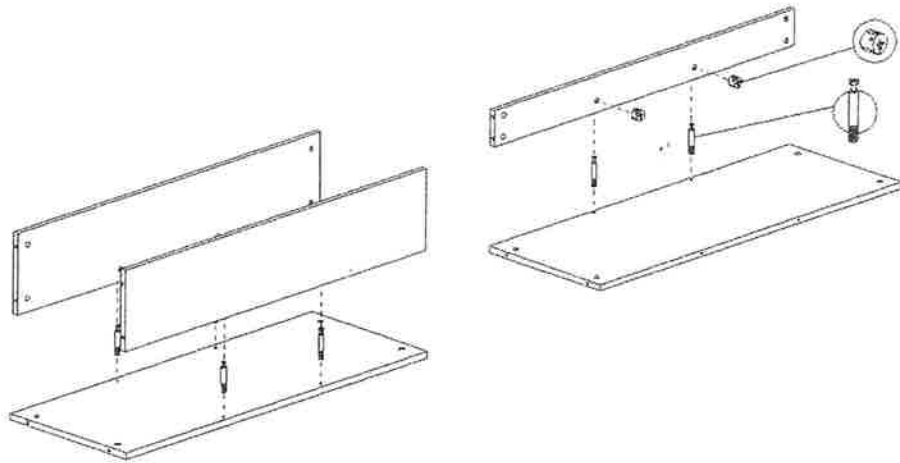


ASSEMBLY INSTRUCTION

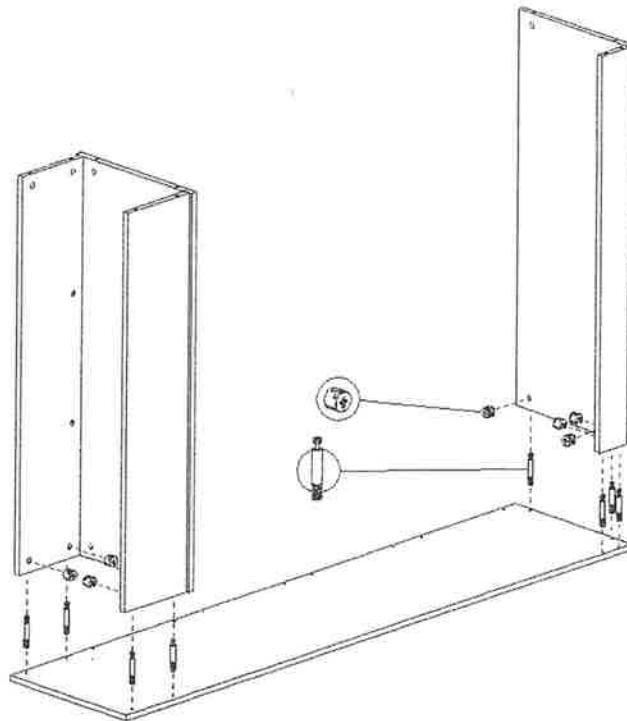
FULL VIEW WALL CASE



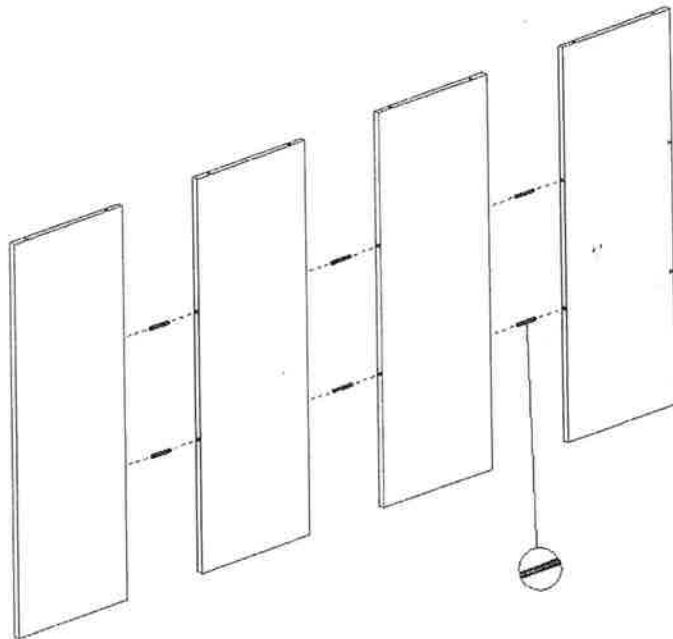
(1)



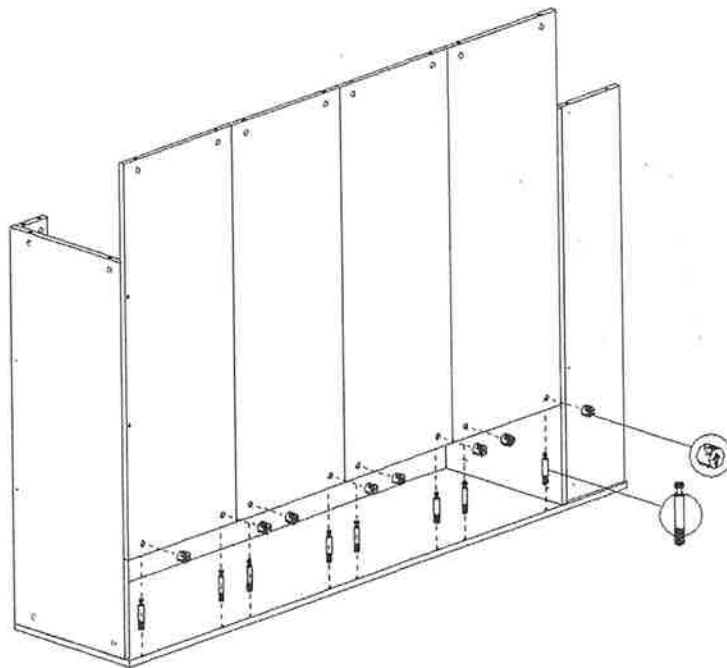
(2)



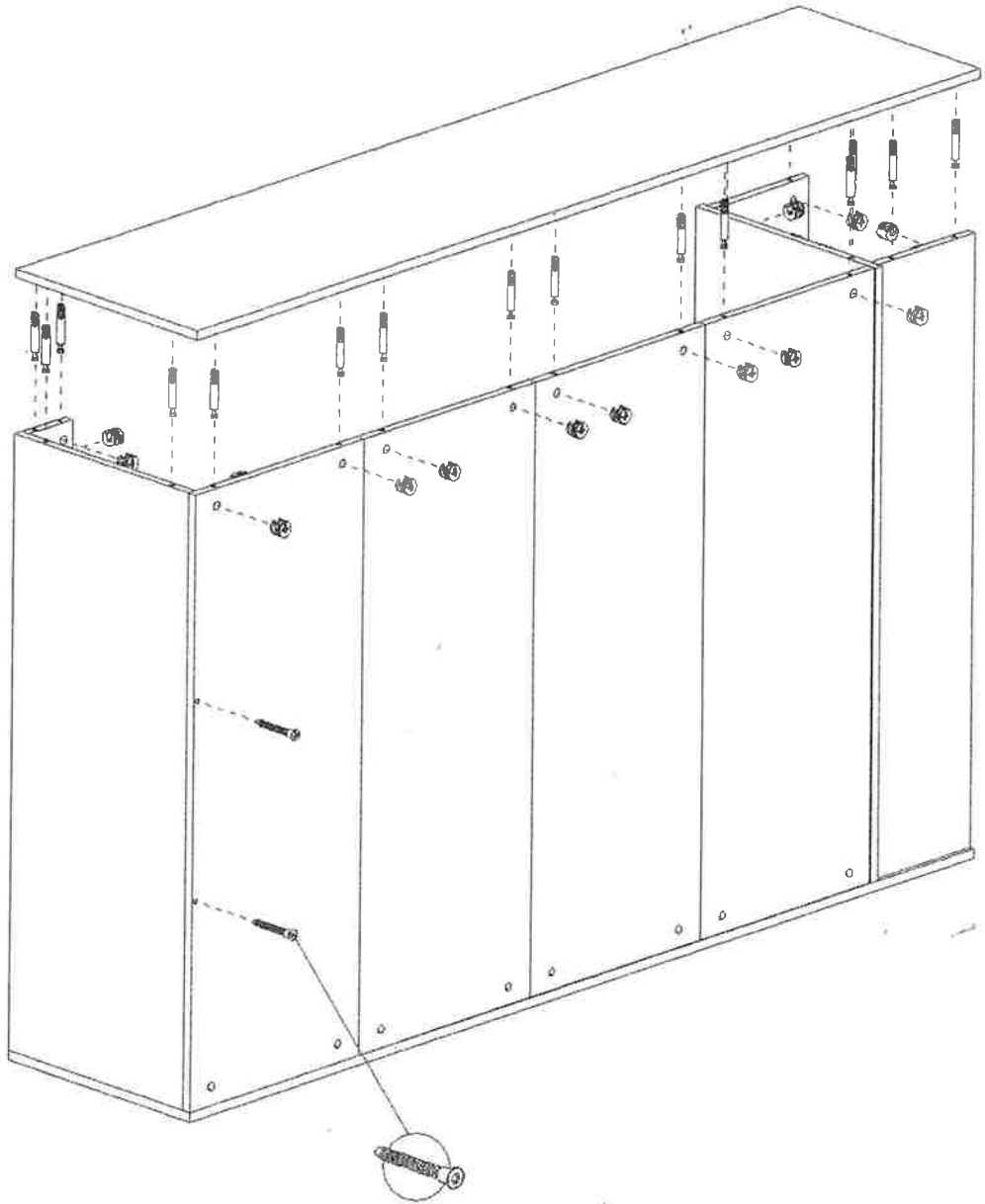
(3)



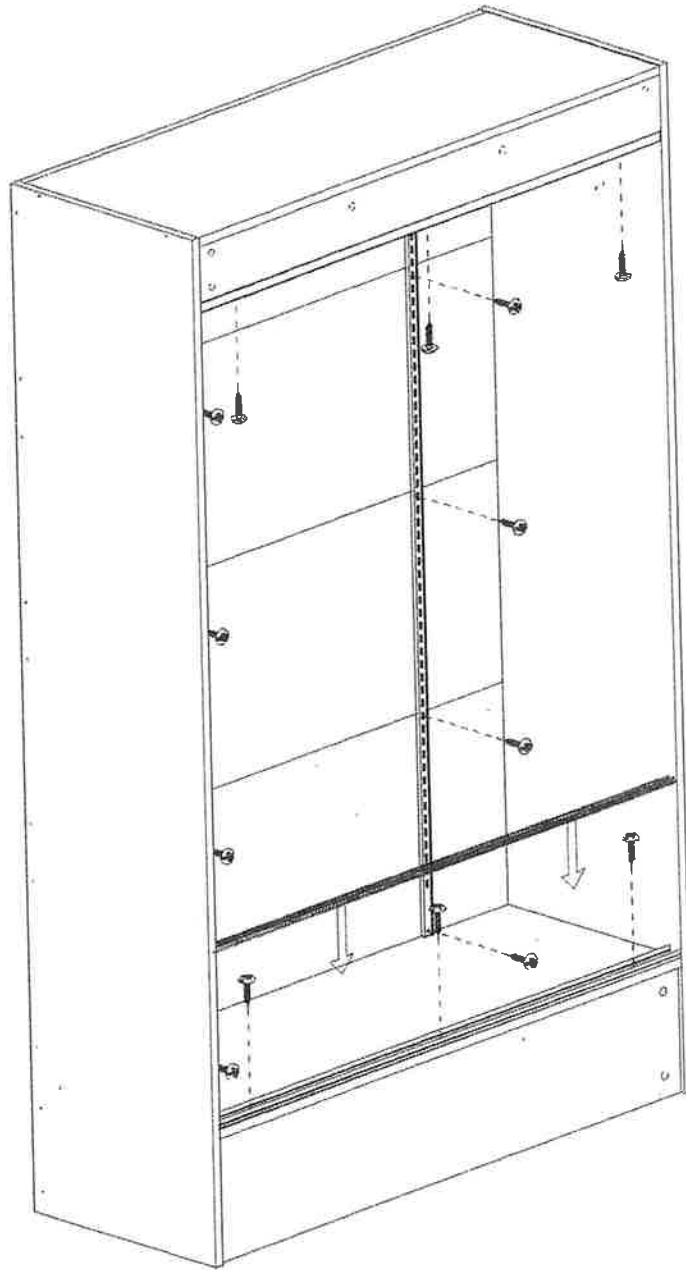
(4)



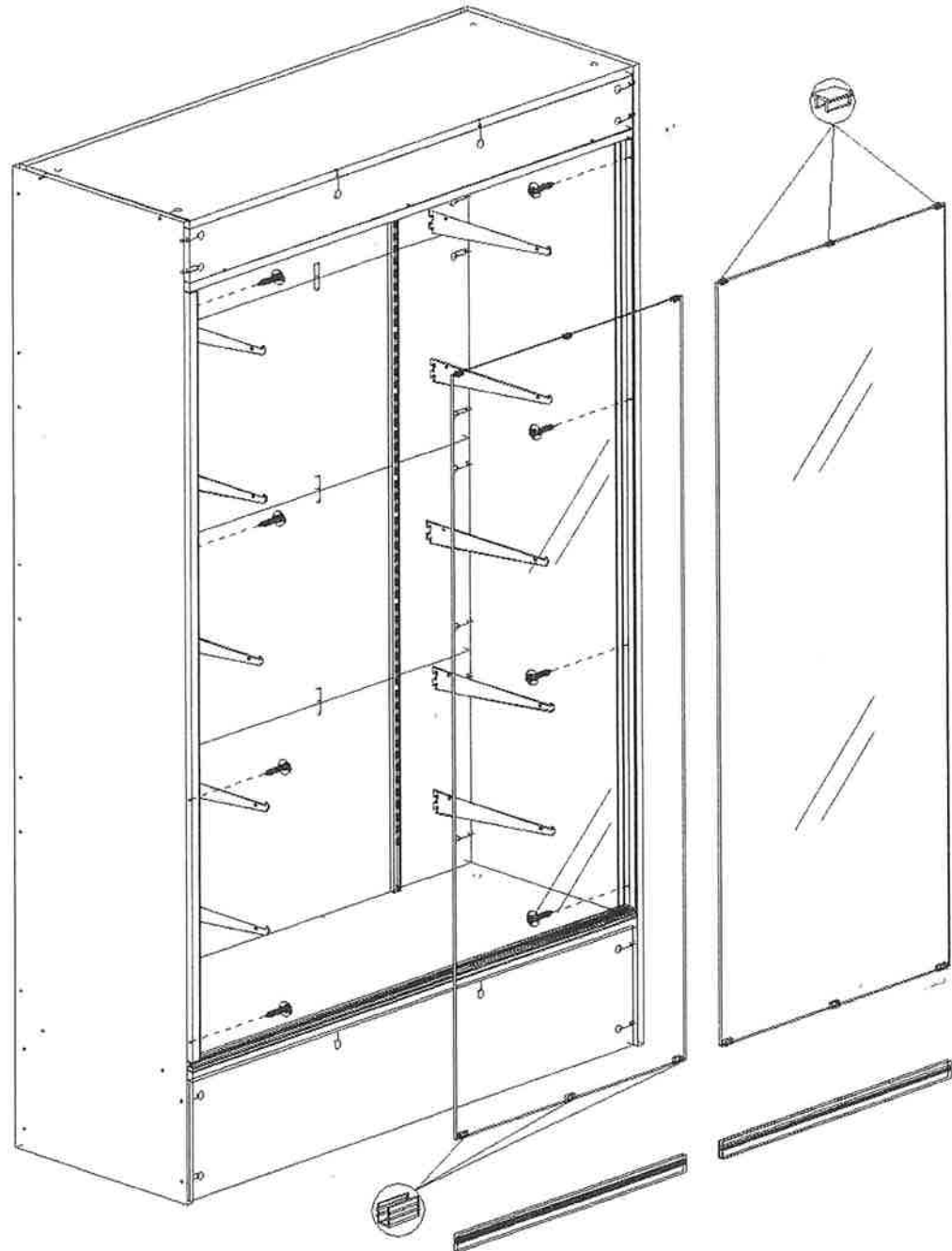
(5)



(6)

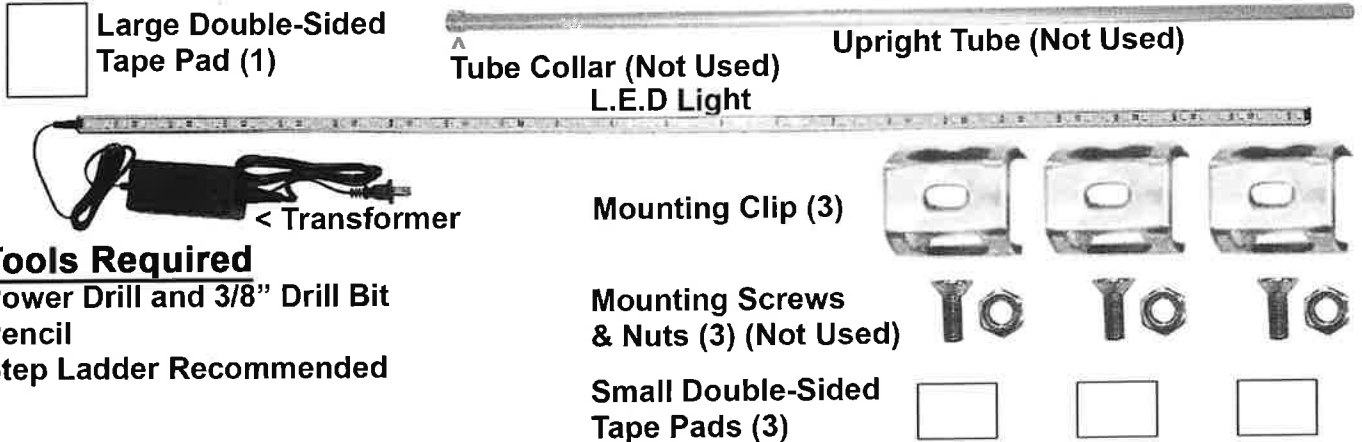


(7)



Minneapolis Series Wall Display Case LED Light Installation

The #90094 LED Light Kit fits several different case types. Not all included hardware will be used. Please read all instructions before starting to install.

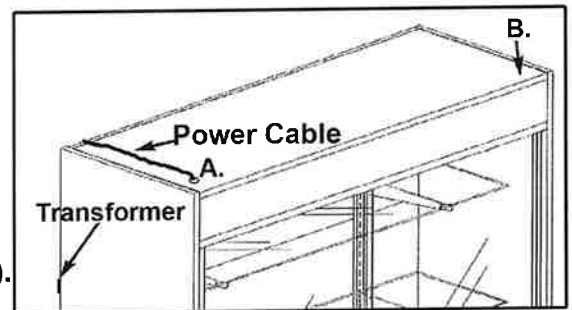


Tools Required

Power Drill and 3/8" Drill Bit
Pencil
Step Ladder Recommended

Instructions:

1. Decide the light location on the display case interior, and which side of the display case you would like the power cable to be on. It is recommended the light be centered left-to-right and 1" from the front of the display case.
2. Using a pencil make a small "X" on the inside ceiling 1" in from the front and side on the of the display case (A. or B. in image) This "X" will be the spot you drill the hole for the cable.
3. From inside the display case, drill a hole where you placed the "X" using a 3/8" drill bit.
4. Temporary set the transformer on top of the display case and push the power cable leading from the transformer to the light through the hole.
5. Remove the protective strip from one side of the small double-sided tape pad and stick to the outside top of the mounting clip over the oval hole (C. below). Repeat this step for all 3 mounting clips.
6. Attach the mounting clips evenly spaced to the backside of the LED Light.
7. Make sure the interior ceiling is clean of dust and that the temperature is above 50°F.
Tip: Before proceeding it is advised to do a dry-fit: Hold up the light with mounting brackets attached inside the display case and make sure it's a good fit as after step 8. it will create a permanent bond and may cause damage or leave residue if removed.
8. Remove the protective strip from the top of the double-sided tape pad on top of the three mounting clips.
9. Press and hold the LED Light with the attached three mounting clips for 60 seconds against the ceiling so the three small double-sided tape pads conform to the ceiling surface and create a strong, permanent bond.
10. Plug power cable end into L.E.D. light and using the large double-sided tape pad to permanently mount the transformer to the outside back or side of the case.



PDi
PALAY DISPLAY INDUSTRIES