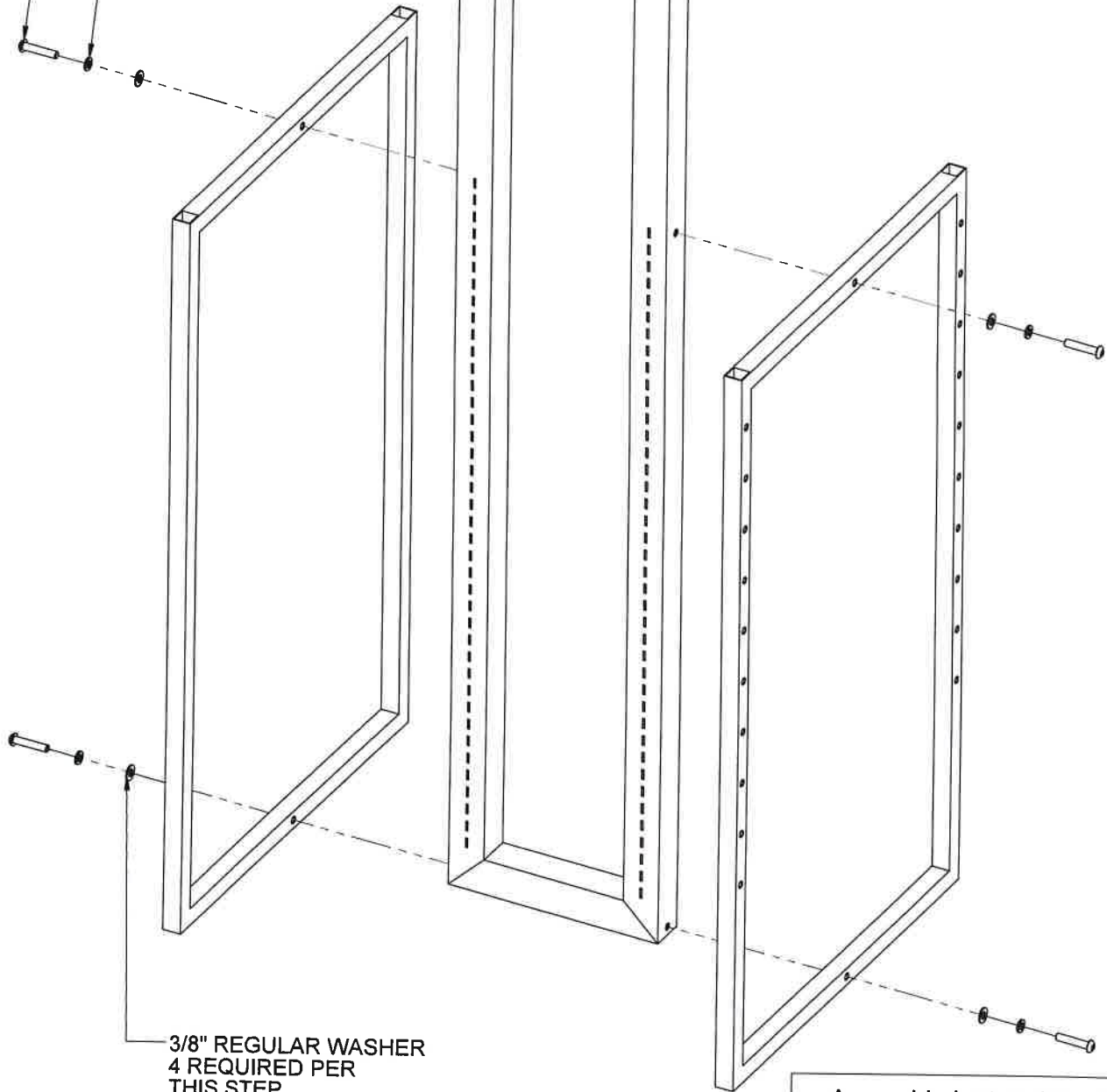


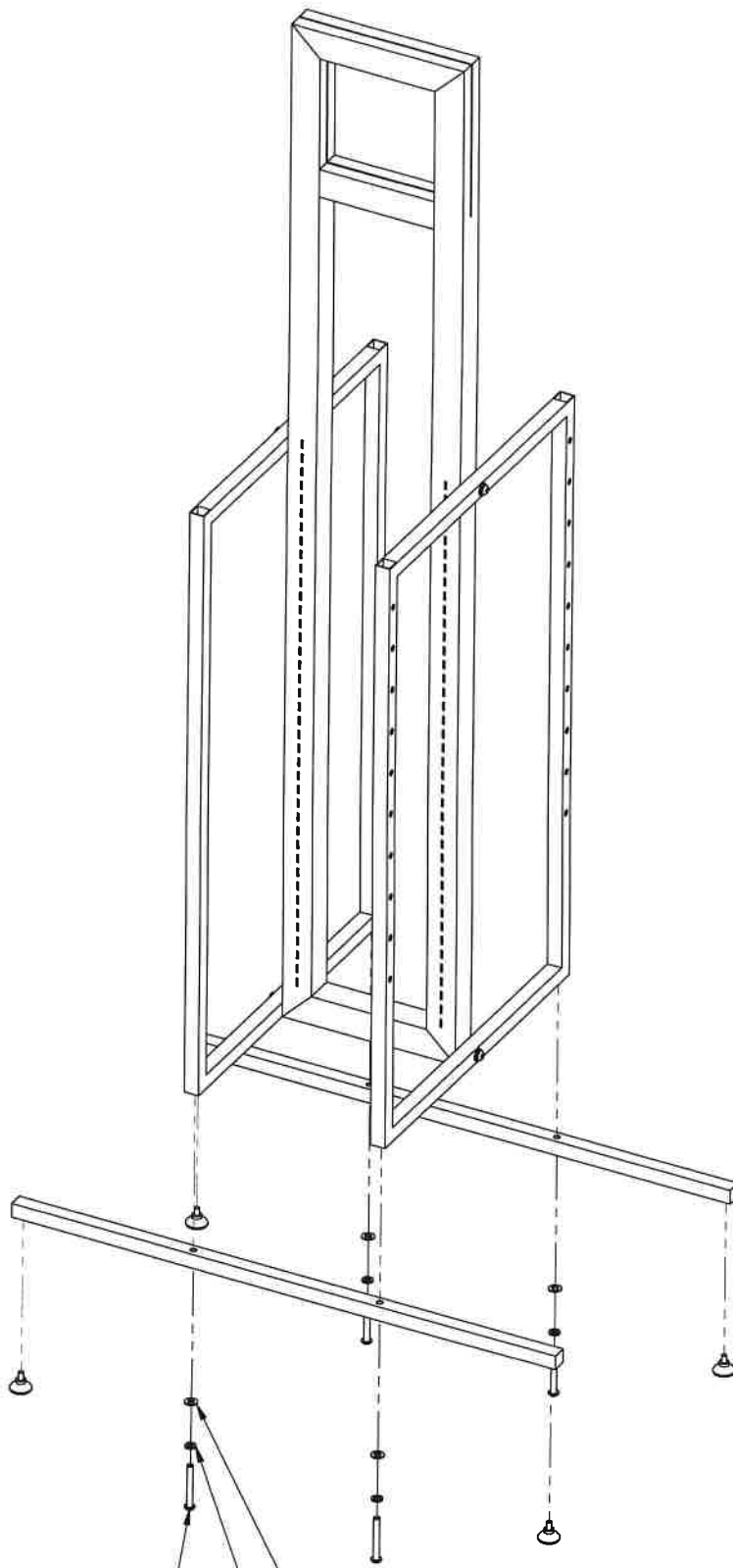
3/8"-16 x 1-7/8" SOCKET
BUTTON HEAD SCREWS
4 REQUIRED PER THIS STEP
(NOTE: LENGTH MAY VARY)

3/8" LOCK WASHER
4 REQUIRED PER
THIS STEP



3/8" REGULAR WASHER
4 REQUIRED PER
THIS STEP

Assembly Instructions for
items 8811 & 8812

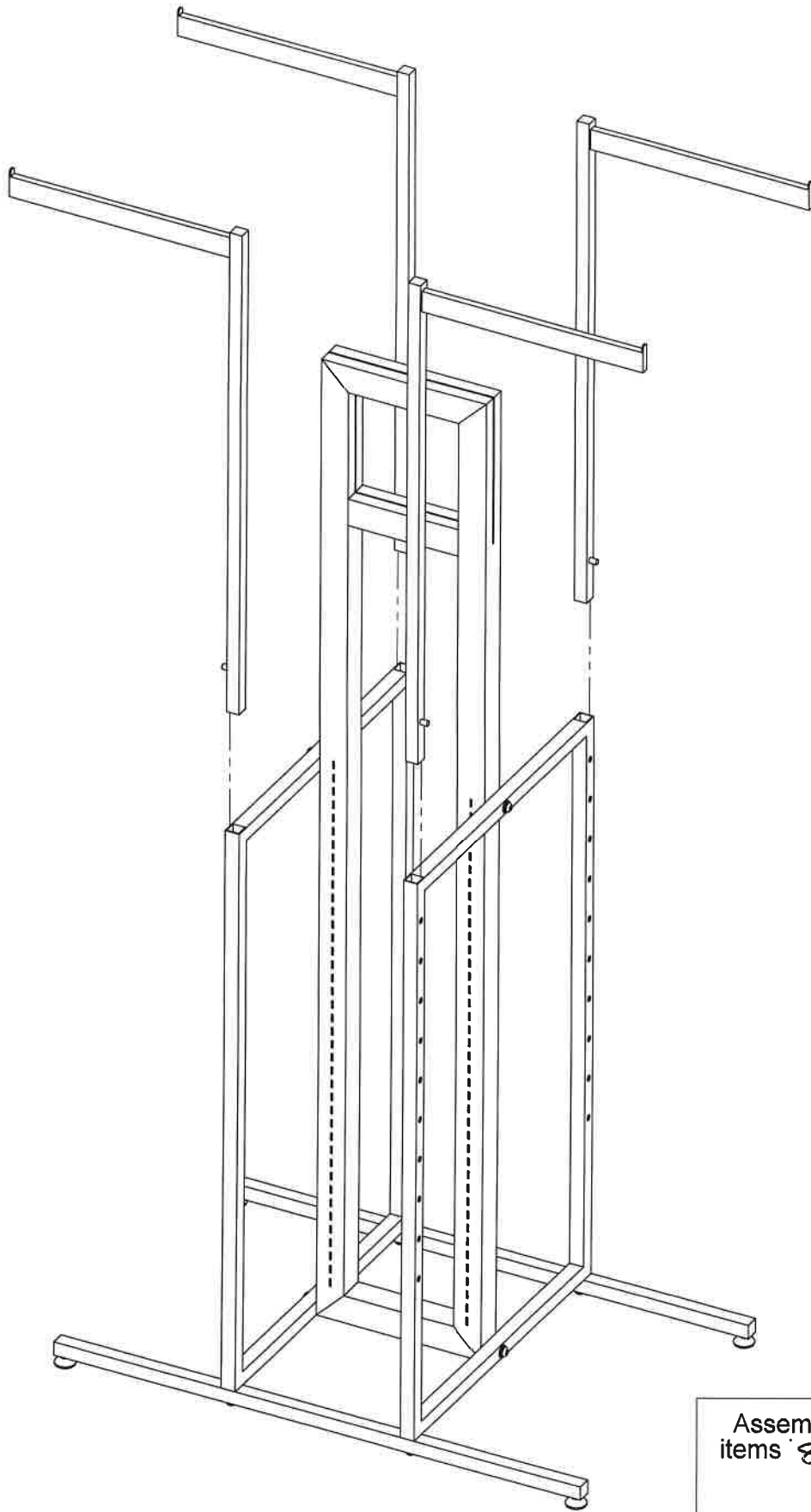


3/8"-16 x 3" SOCKET
 BUTTON HEAD SCREWS
 4 REQUIRED PER THIS STEP
 (NOTE: LENGTH MAY VARY)

3/8" REGULAR WASHER
 4 REQUIRED PER
 THIS STEP

3/8" LOCK WASHER
 4 REQUIRED PER
 THIS STEP

Assembly Instructions for
 items 8811 & 8812



Assembly Instructions for
items 8811 & 8812