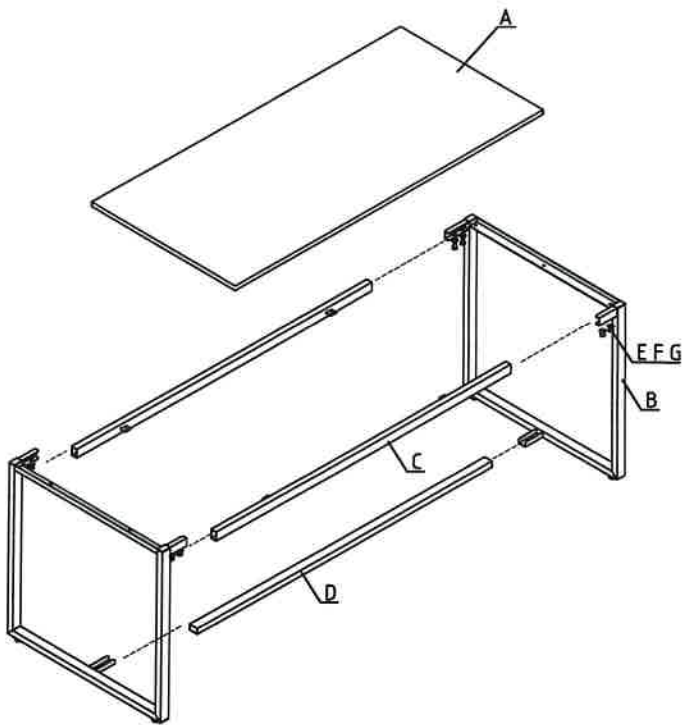
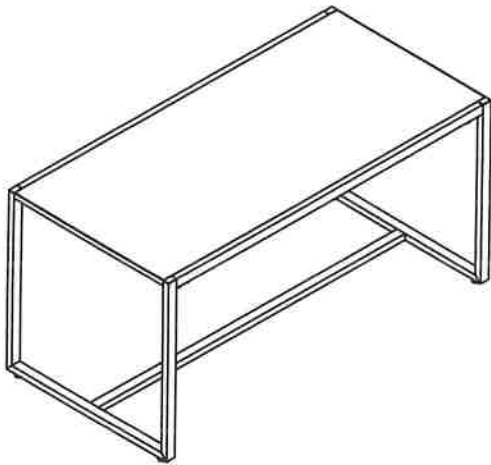
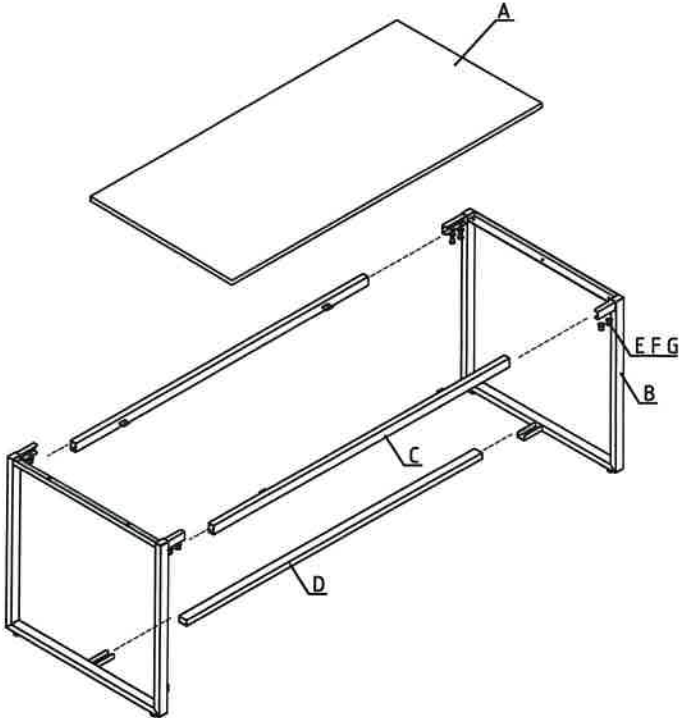
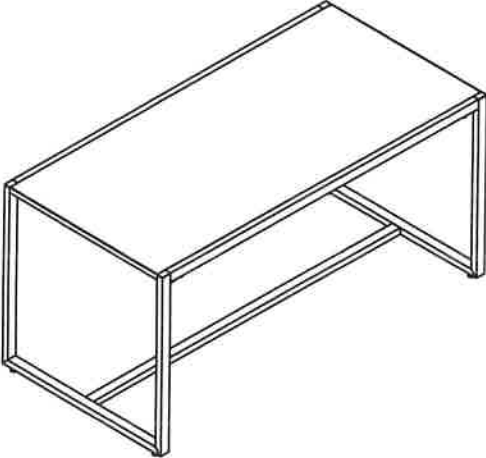


(SMALL)  
ASSEMBLY INSTRUCTIONS



PARTS LIST		
PART	DESCRIPTION	QTY
A	WOOD TOP	1
B	FRAME	2
C	TUBE	2
D	TUBE	1
E	SCREWS	12
F	FLAT PAD	12
G	SPRING WASHER	12

(LARGE)  
ASSEMBLY INSTRUCTIONS



PARTS LIST		
PART	DESCRIPTION	QTY
A	WOOD TOP	1
B	FRAME	2
C	TUBE	2
D	TUBE	1
E	SCREWS	12
F	FLAT PAD	12
G	SPRING WASHER	12