

ASSEMBLY INSTRUCTIONS:
#6127B

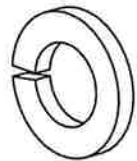


INCLUDED HARDWARE



THREADED
BOLT

Qty. 2

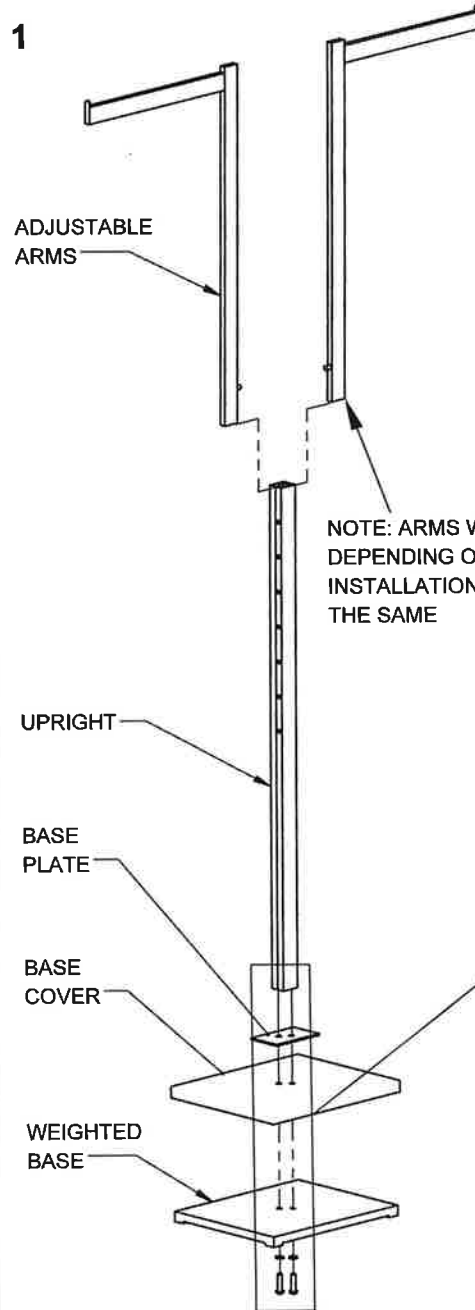


LOCK WASHER
QTY. 2



ALIEN KEY
QTY. 1

1



- ASSEMBLED THE WEIGHT BASE, BASE COVER, BASE PLATE, AND UPRIGHT AS SHOWN.
- DEPRESS THE SNAP BUTTONS AND INSTALL THE ADJUSTABLE ARMS.

