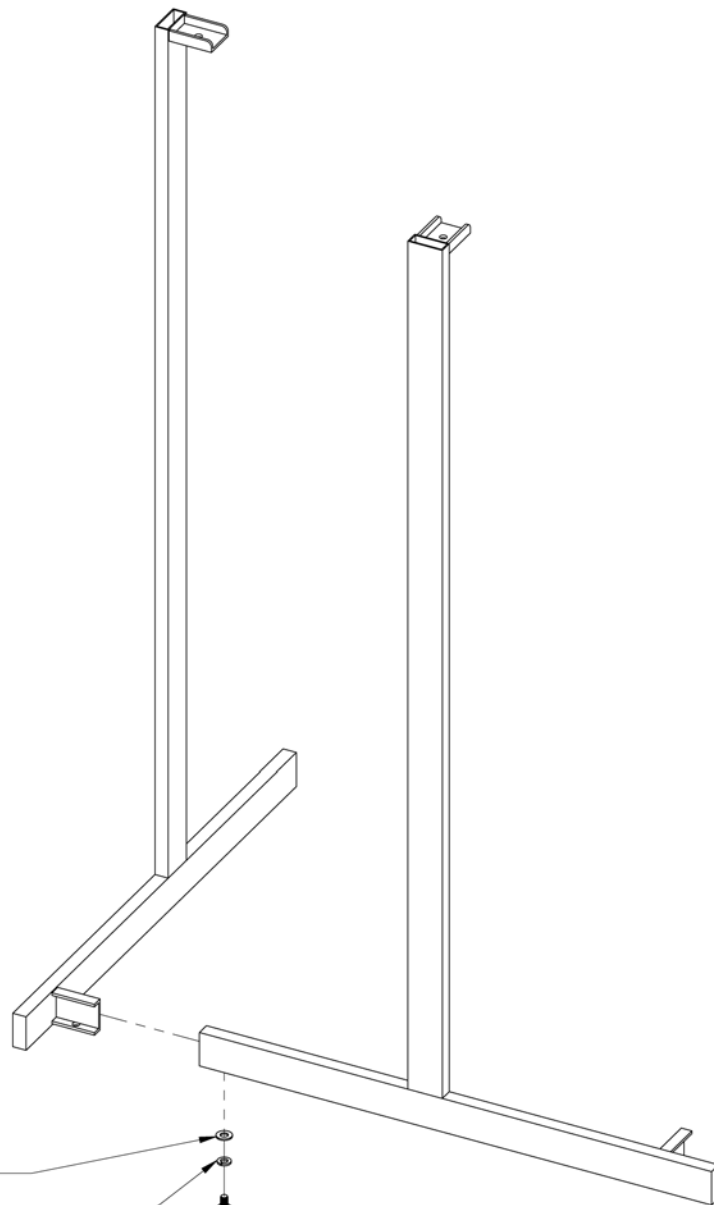


5/16" REGULAR WASHER
(MAY NOT BE INCLUDED,
NOT REQUIRED)

5/16" SPRING LOCK WASHER
3 REQUIRED FOR THIS STEP

5/16"-18 X 1/2" LONG
SOCKET HEX BOLT
3 REQUIRED FOR THIS STEP

Assembly Instructions for
item
6042 / 6042B / 6042SC



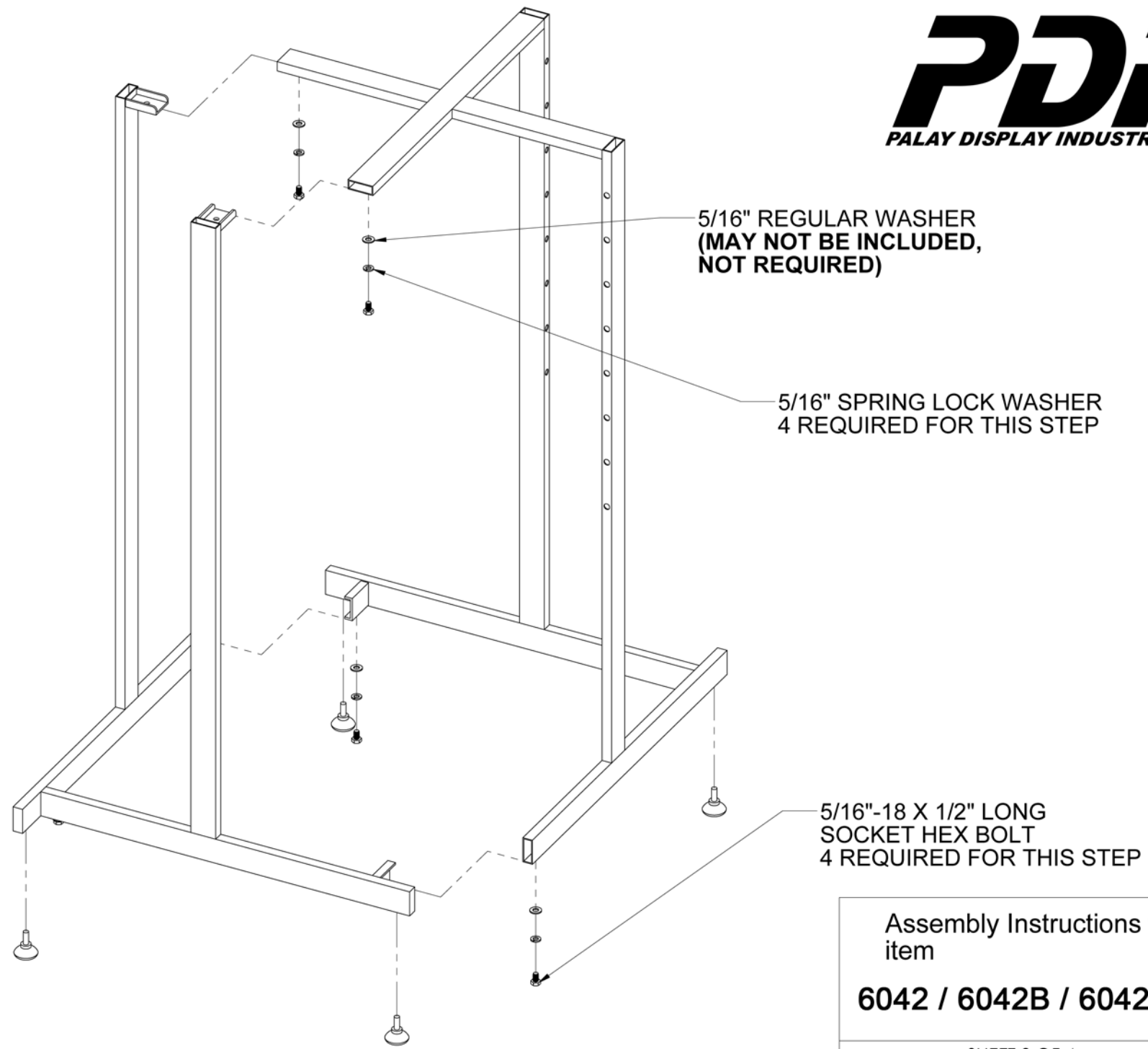
5/16" REGULAR WASHER
(MAY NOT BE INCLUDED,
NOT REQUIRED)

5/16" SPRING LOCK WASHER
1 REQUIRED FOR THIS STEP

5/16"-18 X 1/2" LONG
SOCKET HEX BOLT
1 REQUIRED FOR THIS STEP

Assembly Instructions for
item

6042 / 6042B / 6042SC



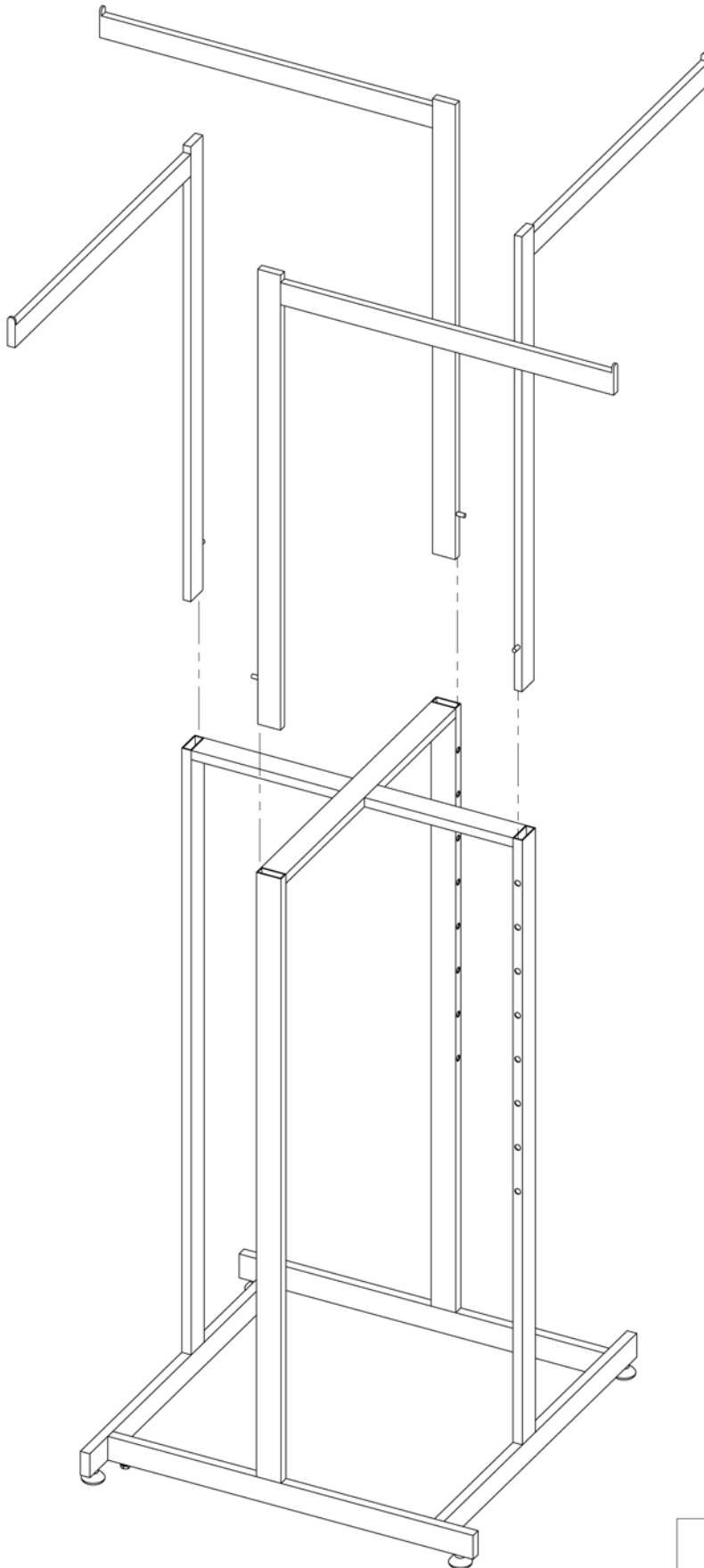
5/16" REGULAR WASHER
(MAY NOT BE INCLUDED,
NOT REQUIRED)

5/16" SPRING LOCK WASHER
4 REQUIRED FOR THIS STEP

5/16"-18 X 1/2" LONG
SOCKET HEX BOLT
4 REQUIRED FOR THIS STEP

Assembly Instructions for
item

6042 / 6042B / 6042SC



Assembly Instructions for
item

6042 / 6042B / 6042SC