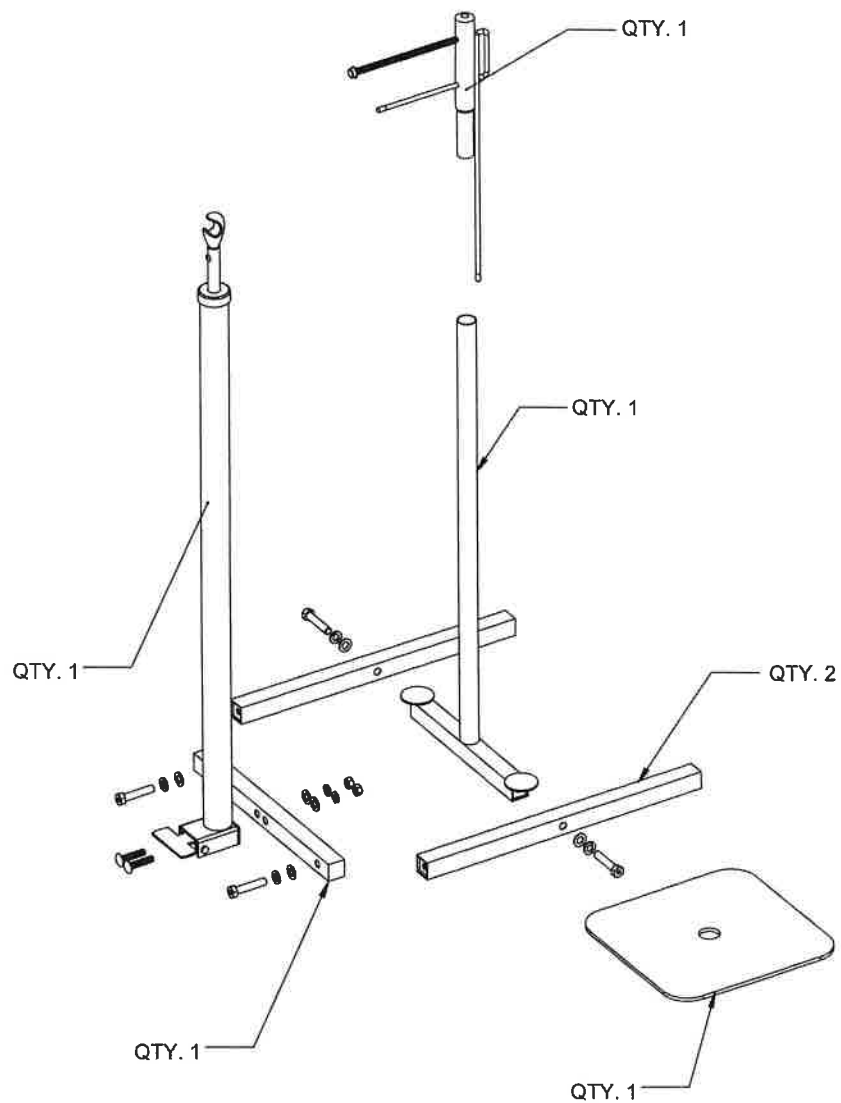
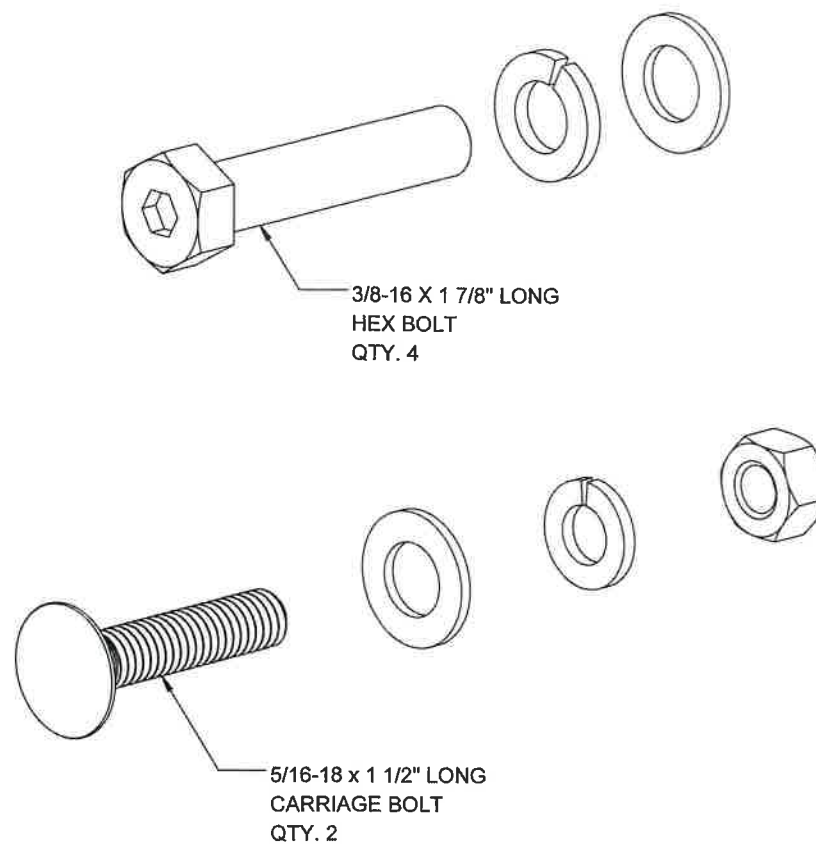


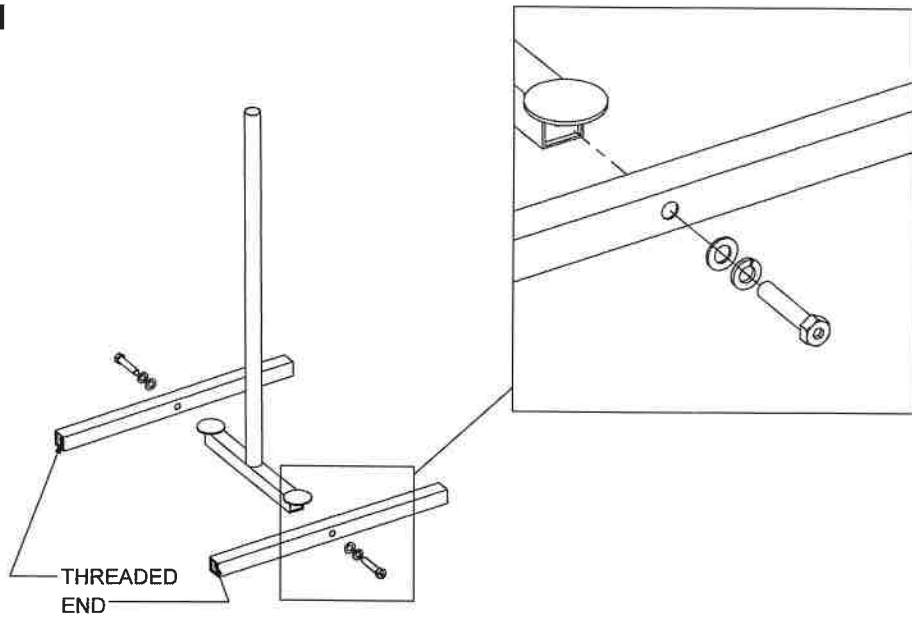
## EXPLODED VIEW



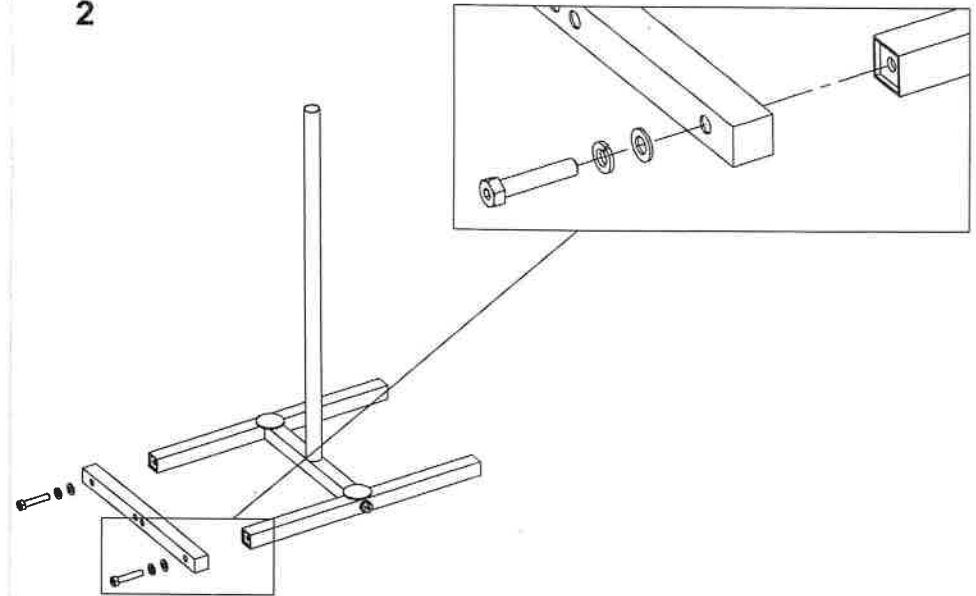
## HARDWARE



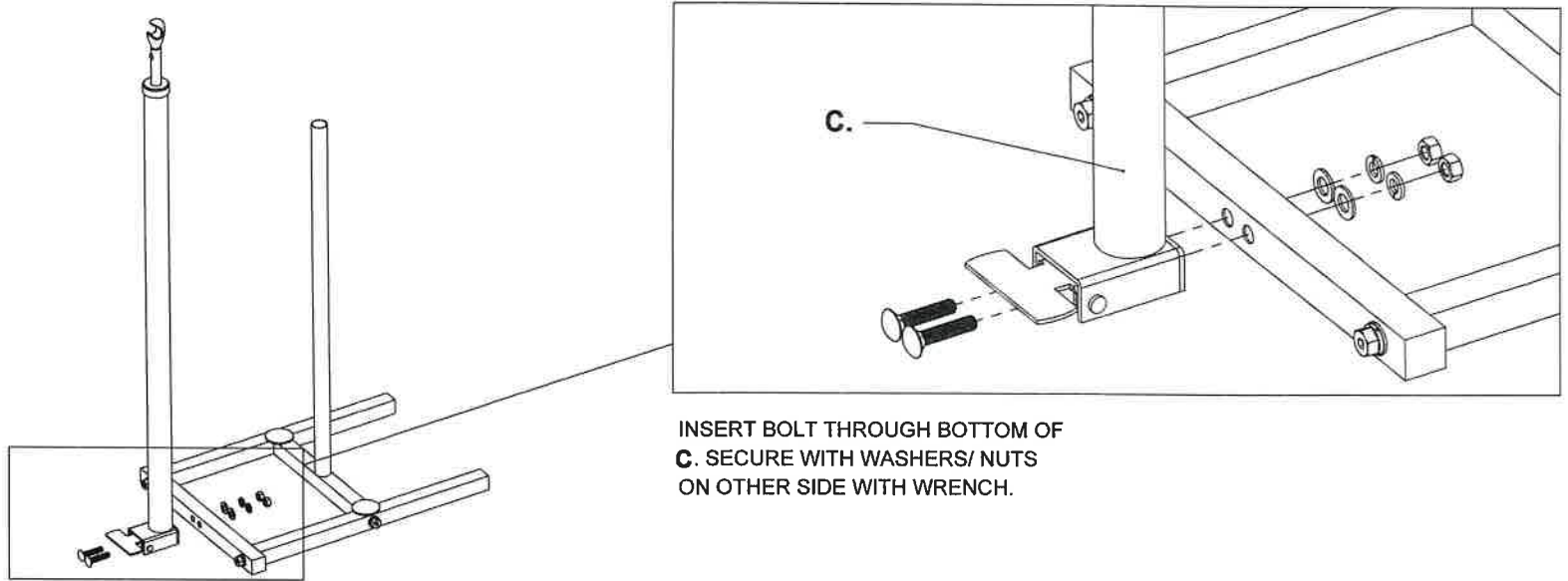
1



2

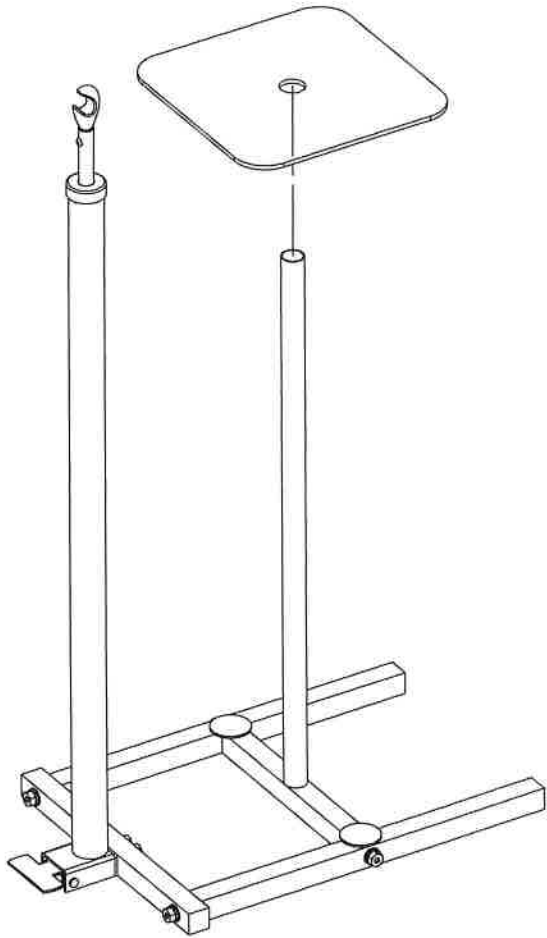


3



INSERT BOLT THROUGH BOTTOM OF  
**C.** SECURE WITH WASHERS/ NUTS  
 ON OTHER SIDE WITH WRENCH.

4



5

