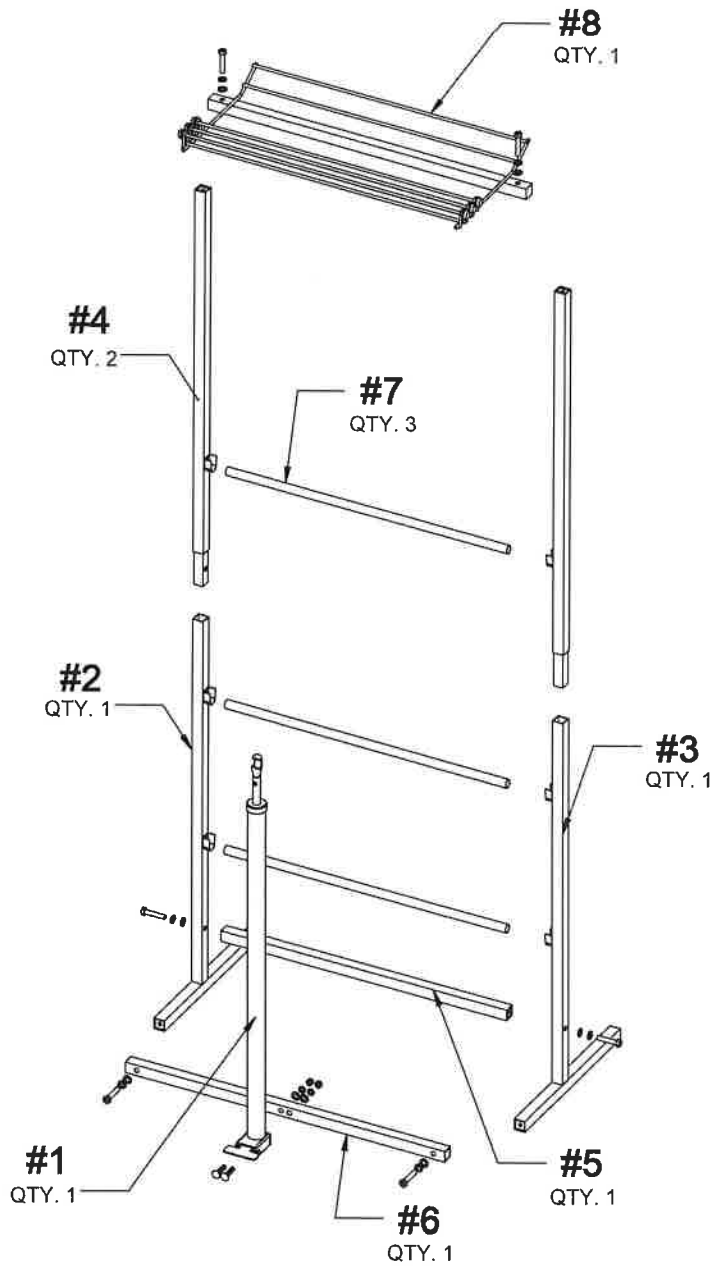
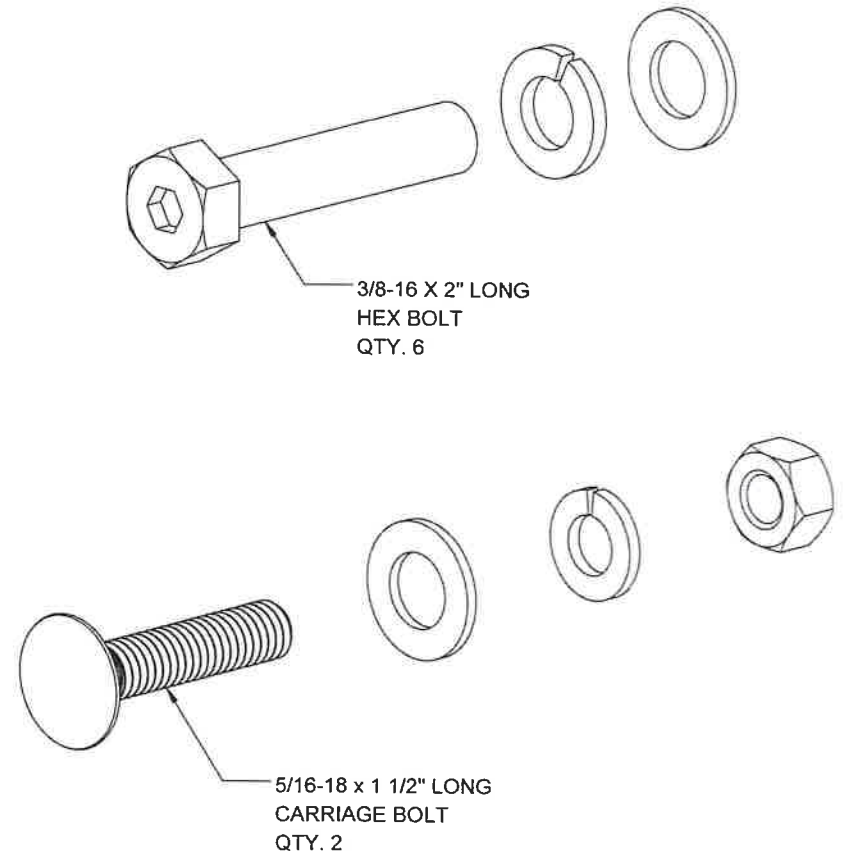


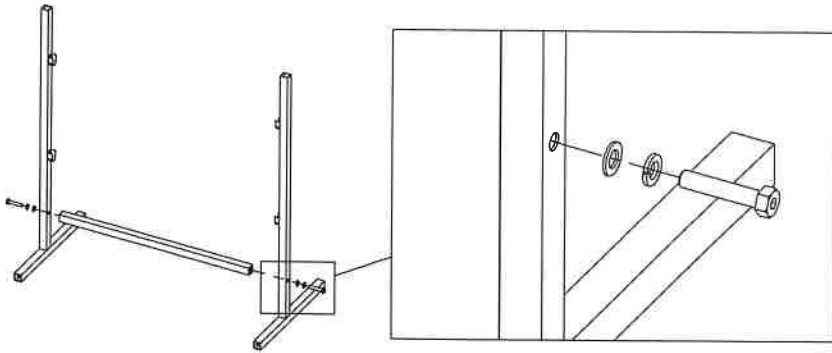
EXPLODED VIEW



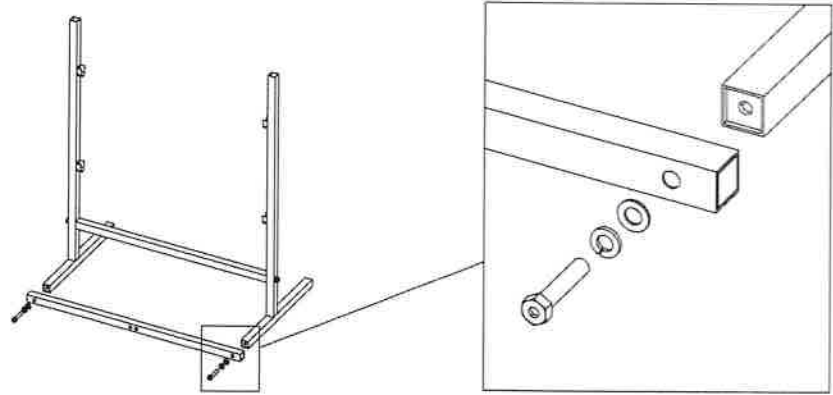
HARDWARE



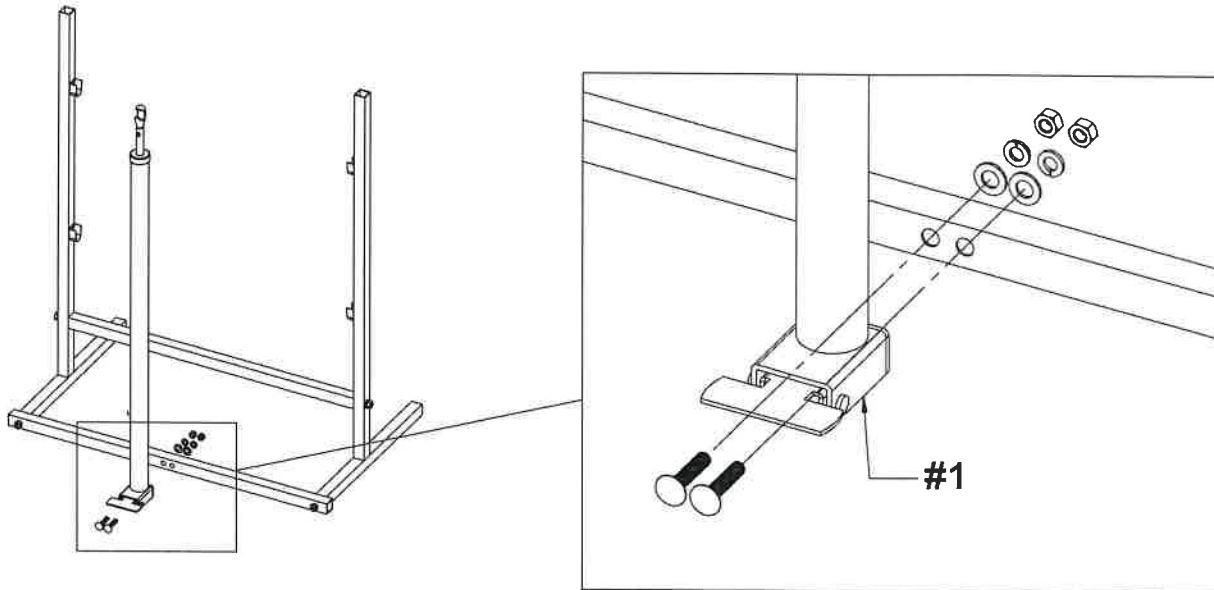
1



2

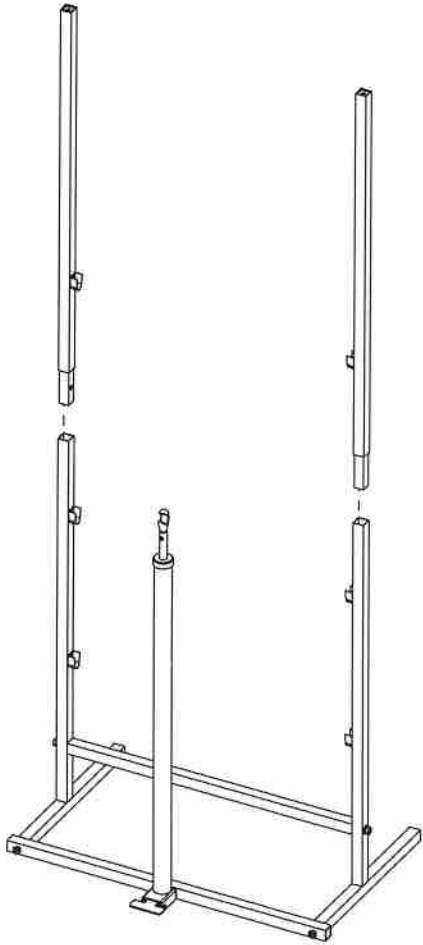


3



INSERT BOLT THROUGH BOTTOM OF 1.
 SECURE WITH WASHERS/ NUTS
 ON OTHER SIDE WITH WRENCH.

4



5 INSTALL 8 ON TOP.
THEN INSTALL 7 (ROUND BARS.)

