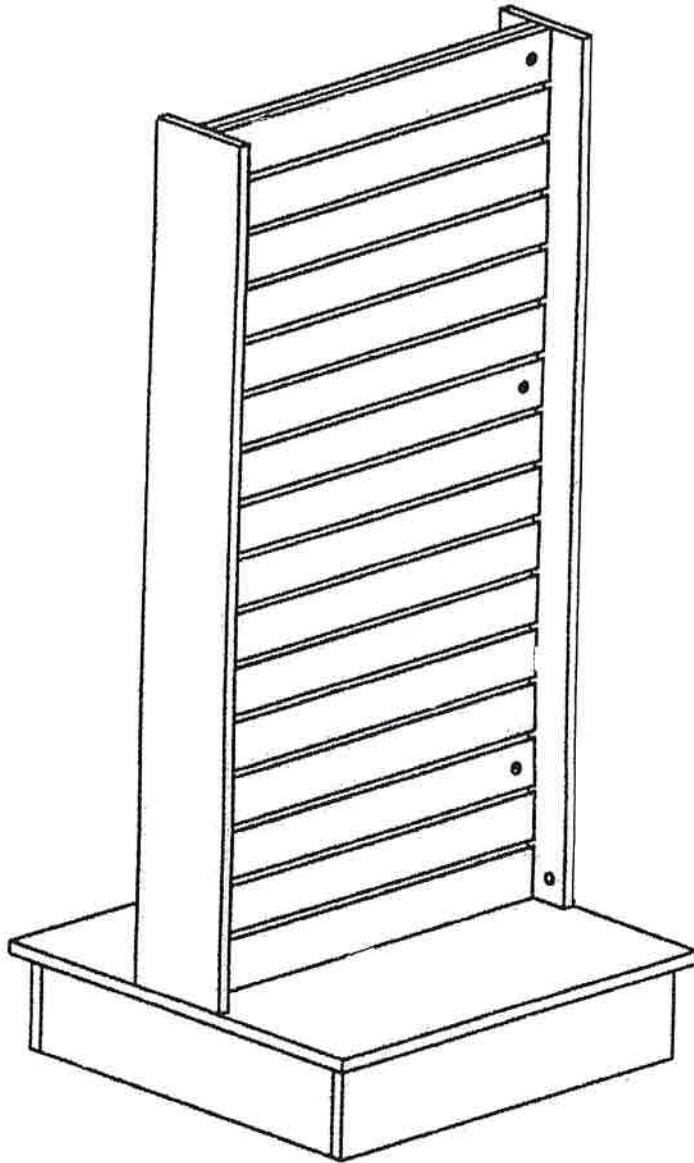
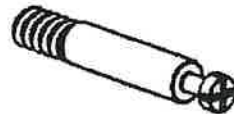


# SLATWALL STREAMLINE DISPLAY



**X 32**



**X 32**



***PALAY DISPLAY INDUSTRIES, INC.***

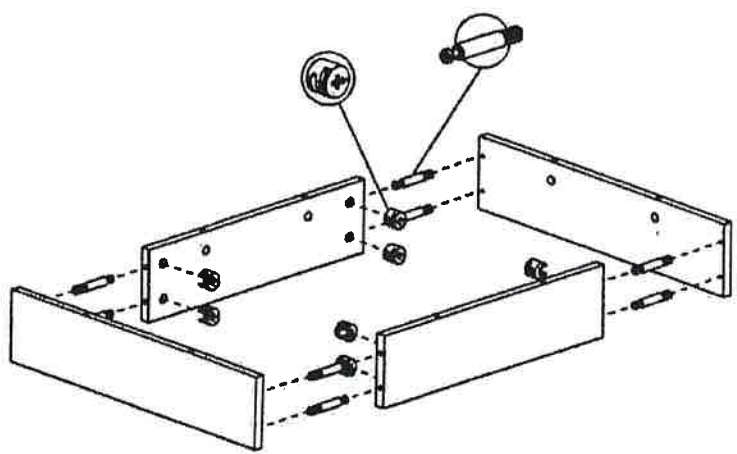
10901 Louisiana Avenue South

Bloomington, MN 55438

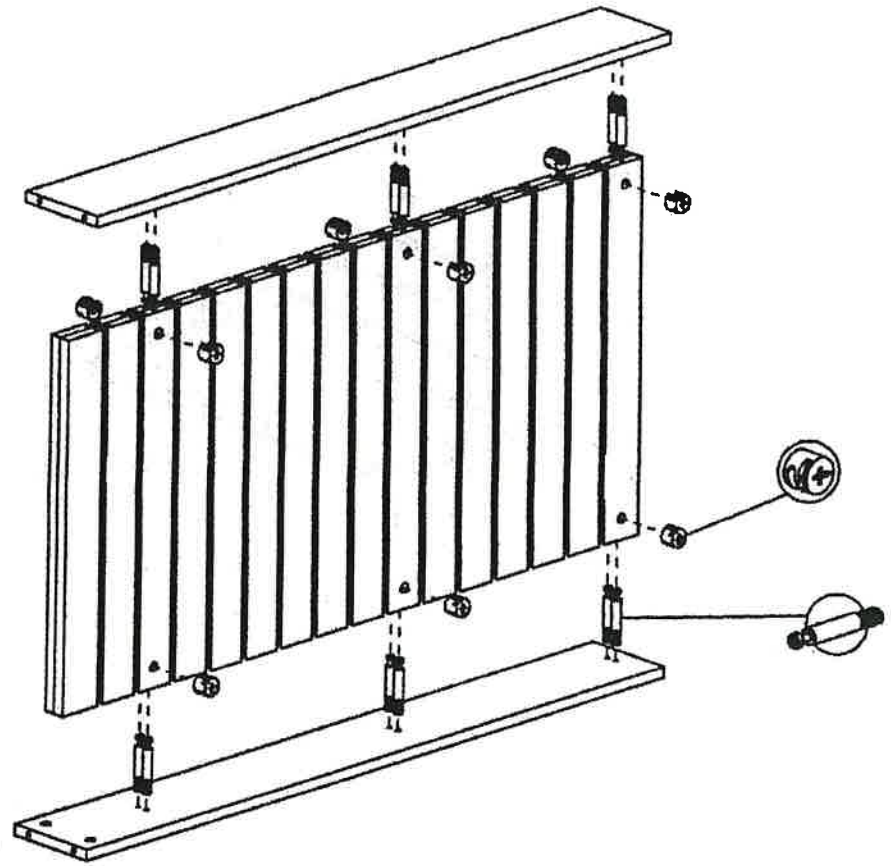
800-446-6106

[www.palaydisplay.com](http://www.palaydisplay.com)

1

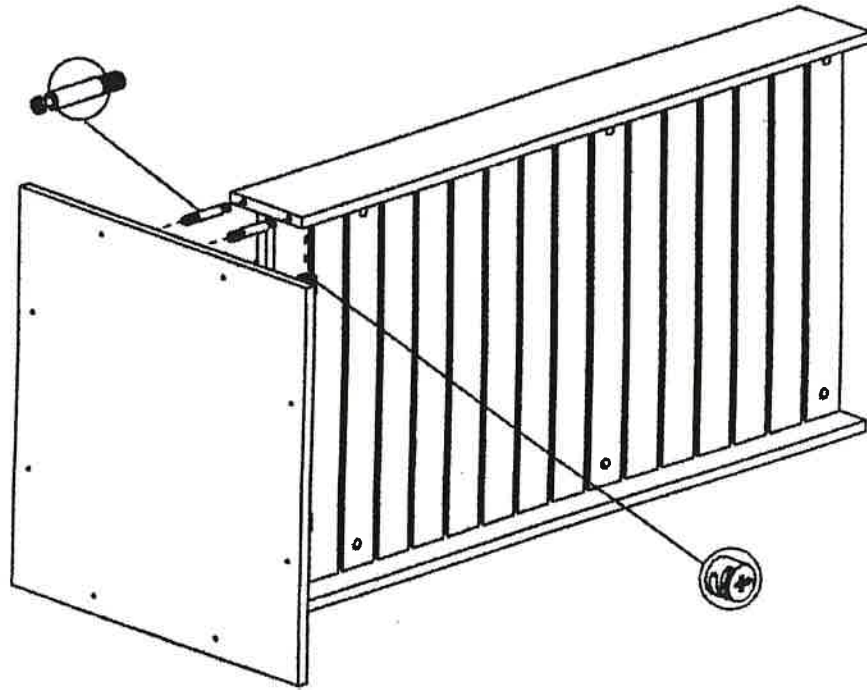


2

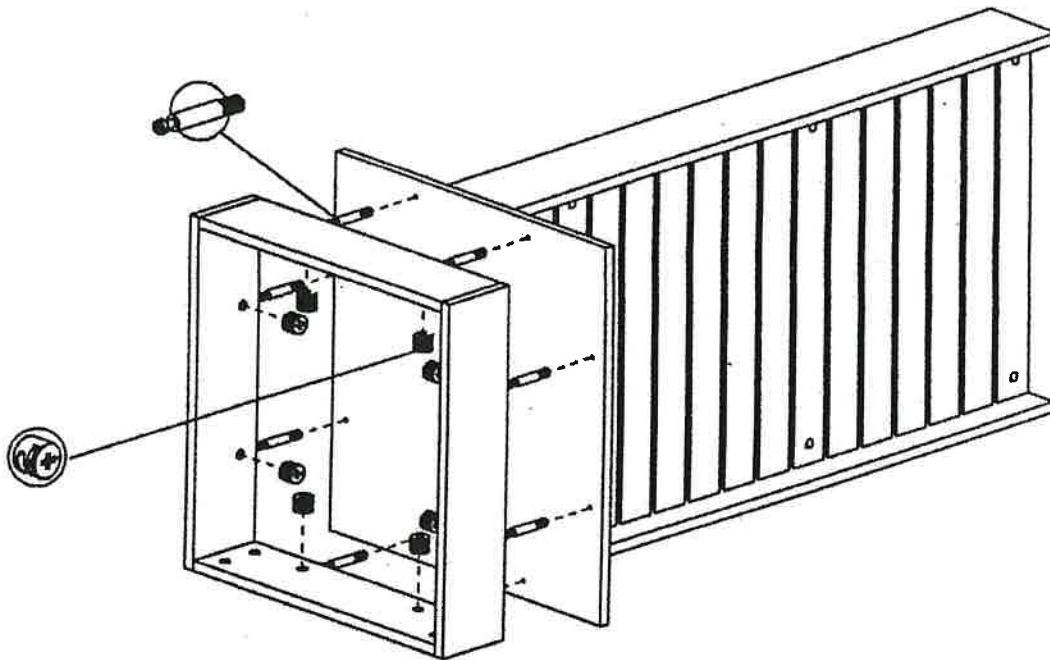


**PALAY DISPLAY INDUSTRIES, INC.**  
10901 Louisiana Avenue South  
Bloomington, MN 55438  
800-446-6106  
[www.palaydisplay.com](http://www.palaydisplay.com)

3



4



**PALAY DISPLAY INDUSTRIES, INC.**

10901 Louisiana Avenue South

Bloomington, MN 55438

800-446-6106

[www.palaydisplay.com](http://www.palaydisplay.com)