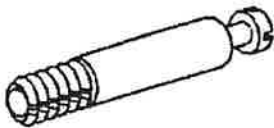
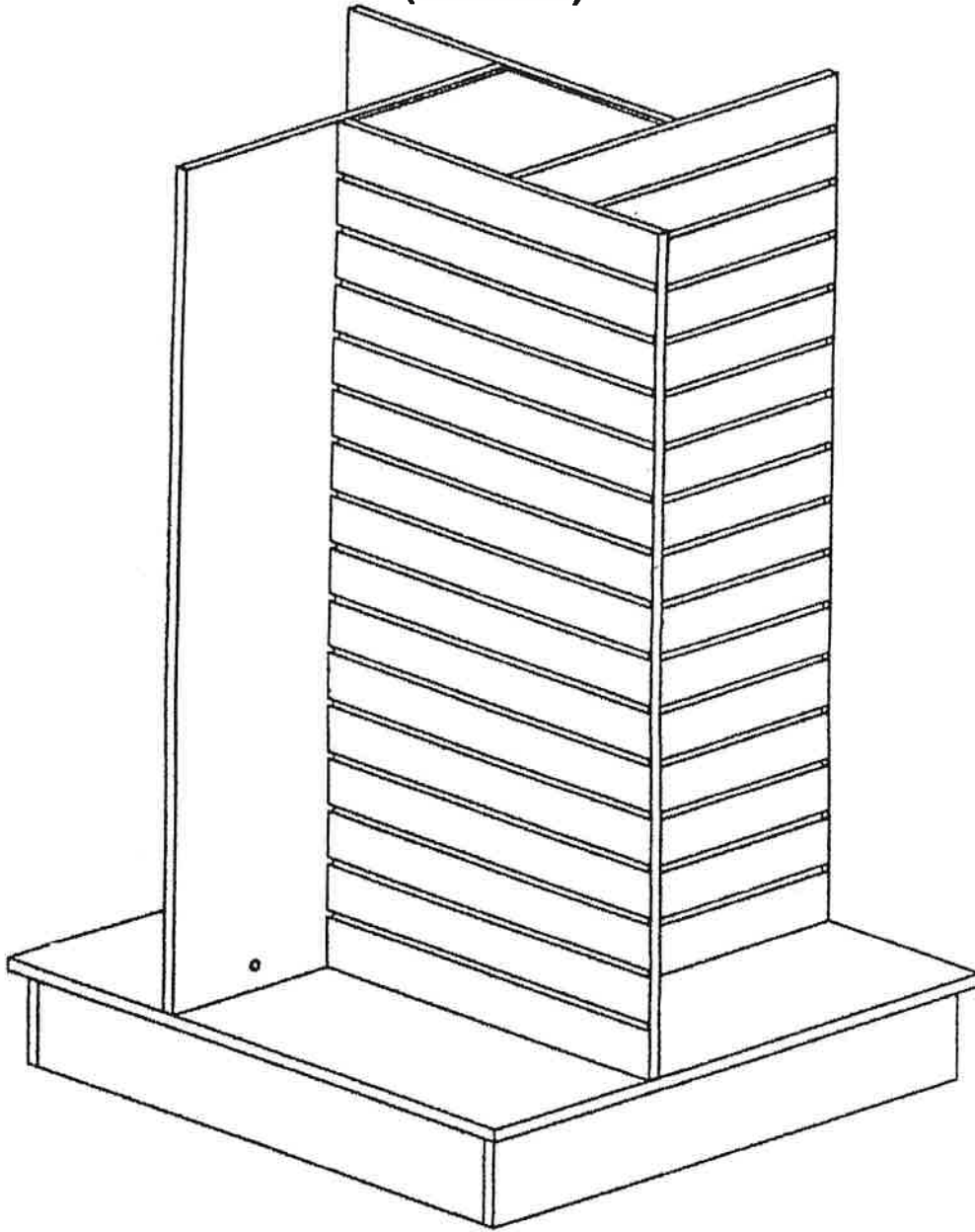


# SLATWALL 4-WAY DISPLAY (LARGE)



X 28



X 28



X 8

**PDi**<sup>TM</sup>

**PALAY DISPLAY INDUSTRIES, INC.**

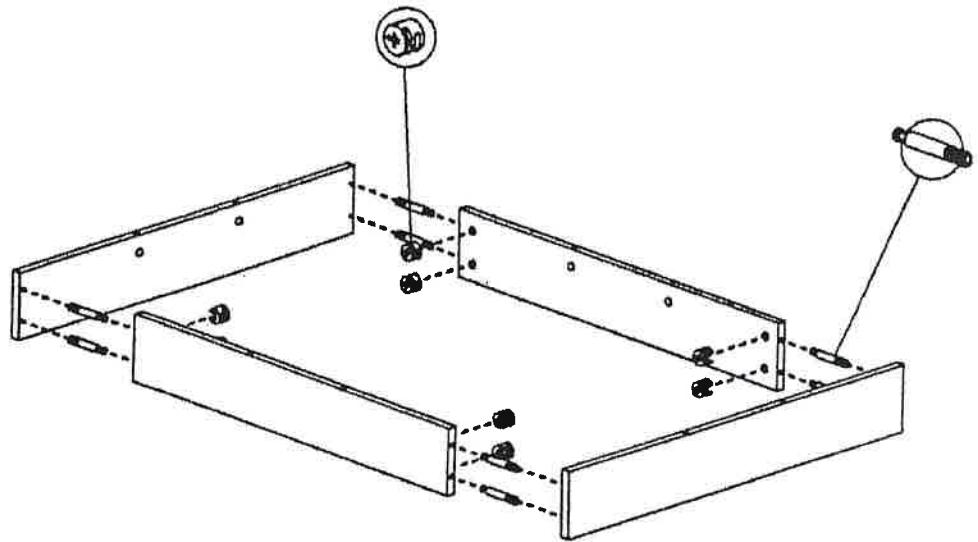
10901 Louisiana Avenue South

Bloomington, MN 55438

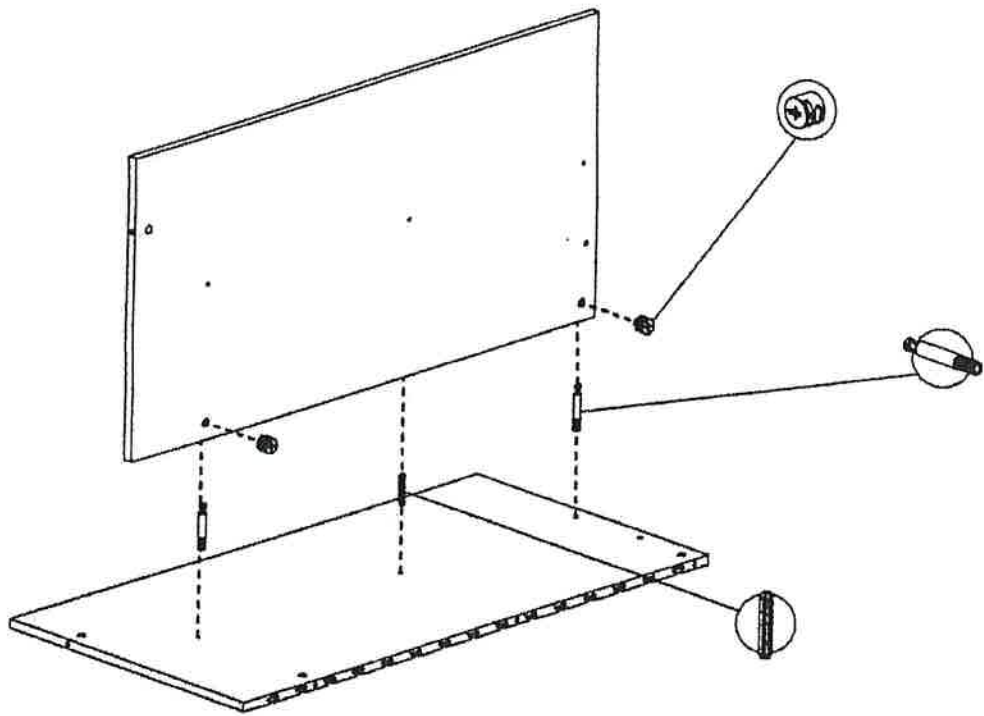
800-446-6106

[www.palaydisplay.com](http://www.palaydisplay.com)

1



2



**PDi**<sup>TM</sup>

**PALAY DISPLAY INDUSTRIES, INC.**

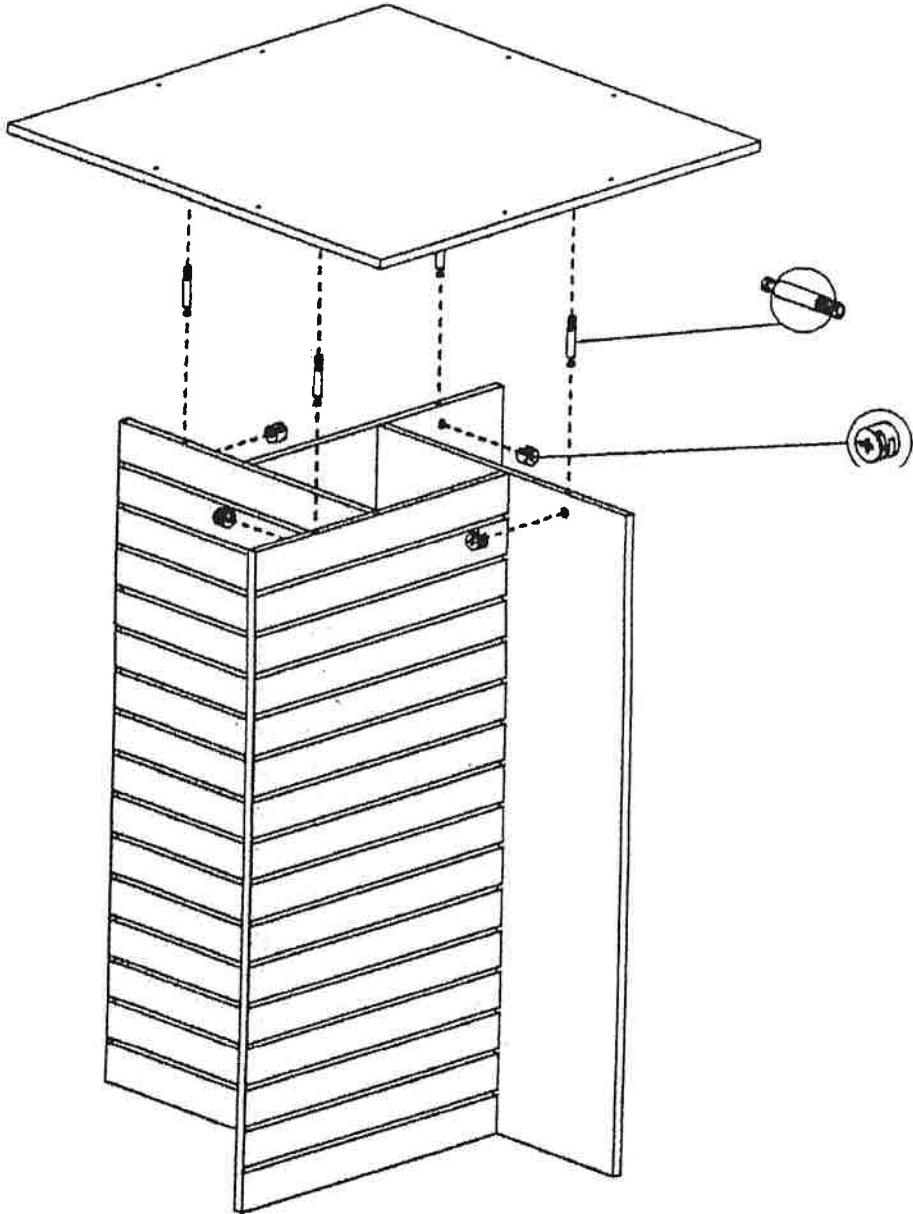
10901 Louisiana Avenue South

Bloomington, MN 55438

800-446-6106

[www.palaydisplay.com](http://www.palaydisplay.com)

3



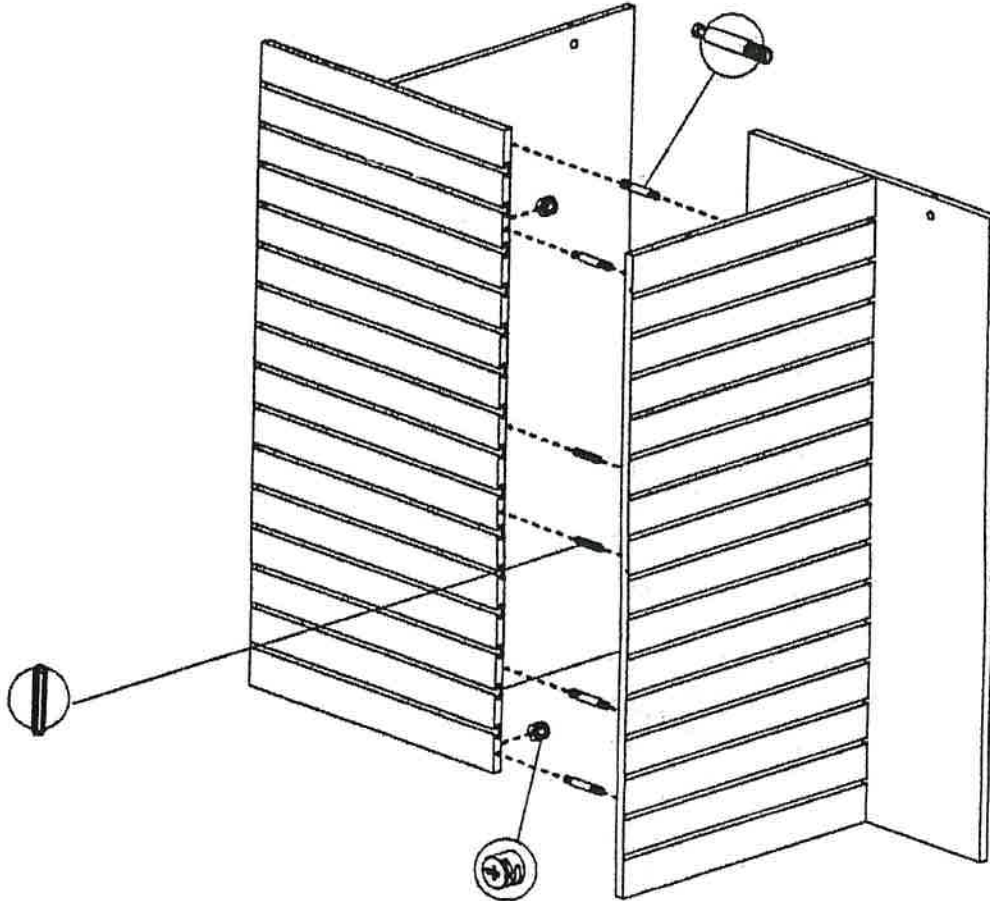
**PALAY DISPLAY INDUSTRIES, INC.**

10901 Louisiana Avenue South

Bloomington, MN 55438

800-446-6106

[www.palaydisplay.com](http://www.palaydisplay.com)



**PALAY DISPLAY INDUSTRIES, INC.**

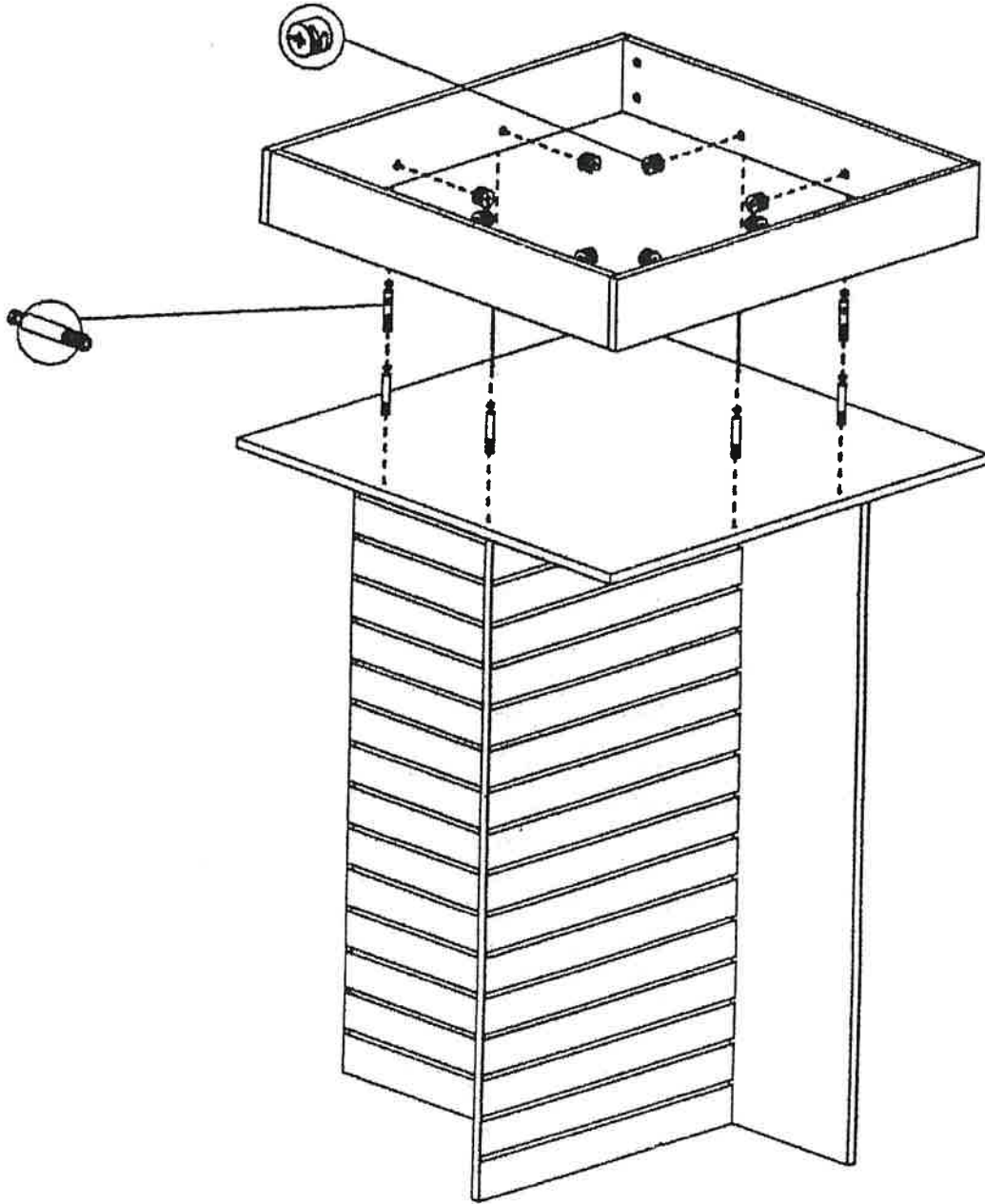
10901 Louisiana Avenue South

Bloomington, MN 55438

800-446-6106

[www.palaydisplay.com](http://www.palaydisplay.com)

5



**PALAY DISPLAY INDUSTRIES, INC.**

10901 Louisiana Avenue South

Bloomington, MN 55438

800-446-6106

[www.palaydisplay.com](http://www.palaydisplay.com)