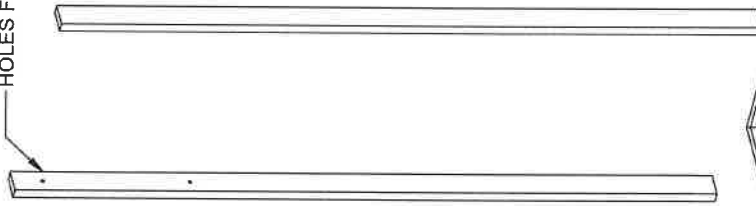




**ASSEMBLY
INSTRUCTIONS FOR:
#2284B**

1

HOLES FACE INSIDE



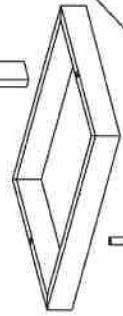
TOOLS INCLUDED

ALLEN KEY

2x



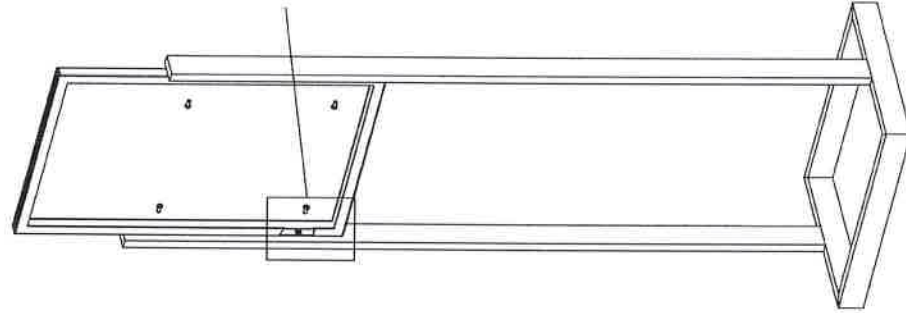
NOTE:
USE CARE WHEN
INSERTING SPACER
TO NOT LOSE THE
SPACER INSIDE THE
BASE.



3/8"-16 x 2" LONG
SOCKET HEAD
SCREW

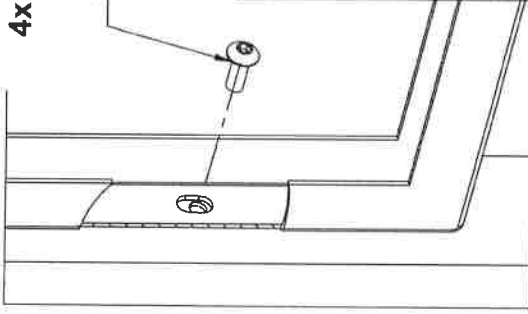


2



4x

#10-24 x 1/2" LONG
SOCKET BUTTON
HEAD SCREWS



Palay Display Industries - 800-446-6106