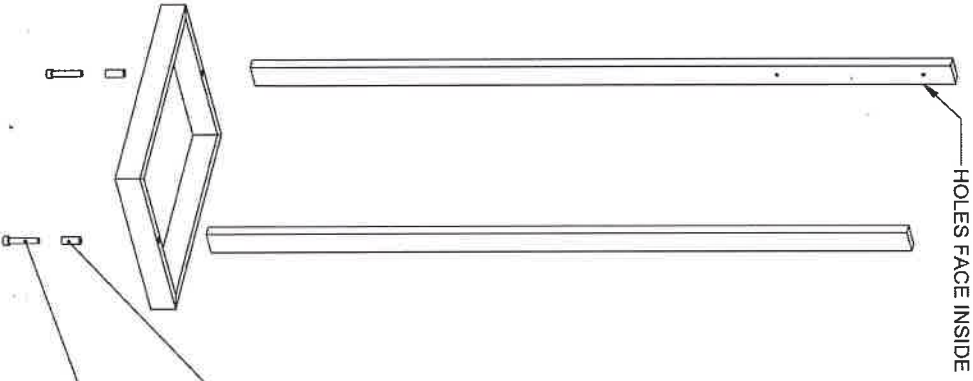




ASSEMBLY
INSTRUCTIONS FOR:
#2284

1



NOTE:
USE CARE WHEN
INSERTING SPACER
TO NOT LOSE THE
SPACER INSIDE THE
BASE.
3/8"-16 x 2" LONG
SOCKET HEAD
SCREW

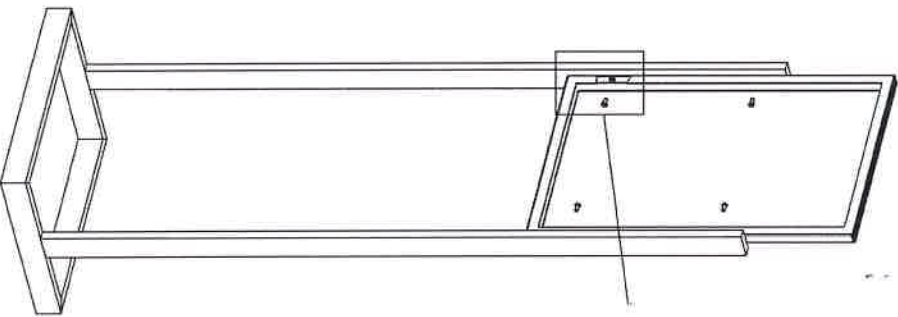
TOOLS INCLUDED



2x

ALLEN KEY

2



4x
#10-24 x 1/2" LONG
SOCKET BUTTON
HEAD SCREWS

Palay Display Industries - 800-446-6106