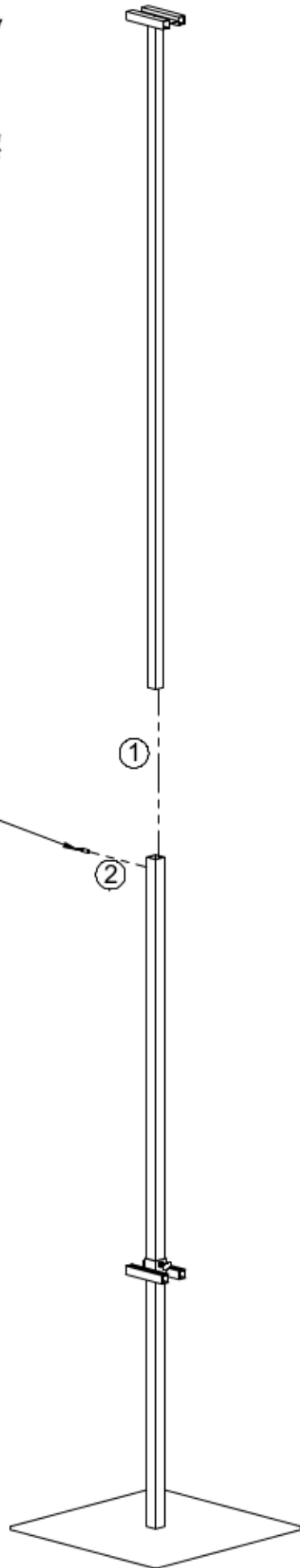
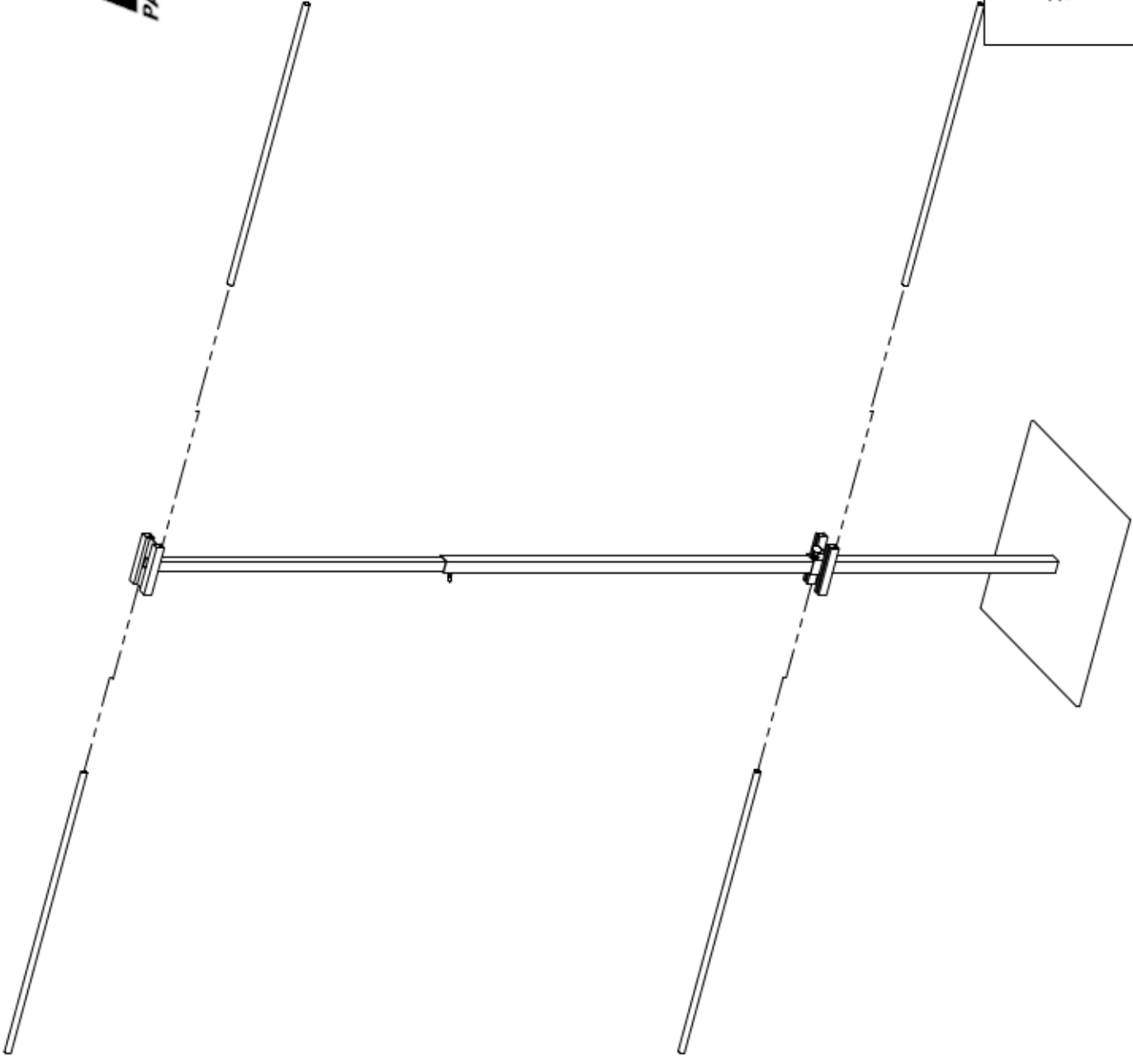


Assembly Instructions for  
#1021

1/4"-20 x 1/2" LONG  
THUMB SCREW  
1 REQUIRED PER  
THIS STEP



Assembly Instructions for  
#1021



Assembly Instructions for  
#1021