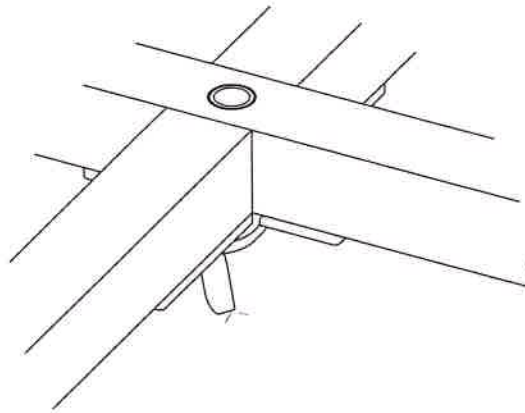
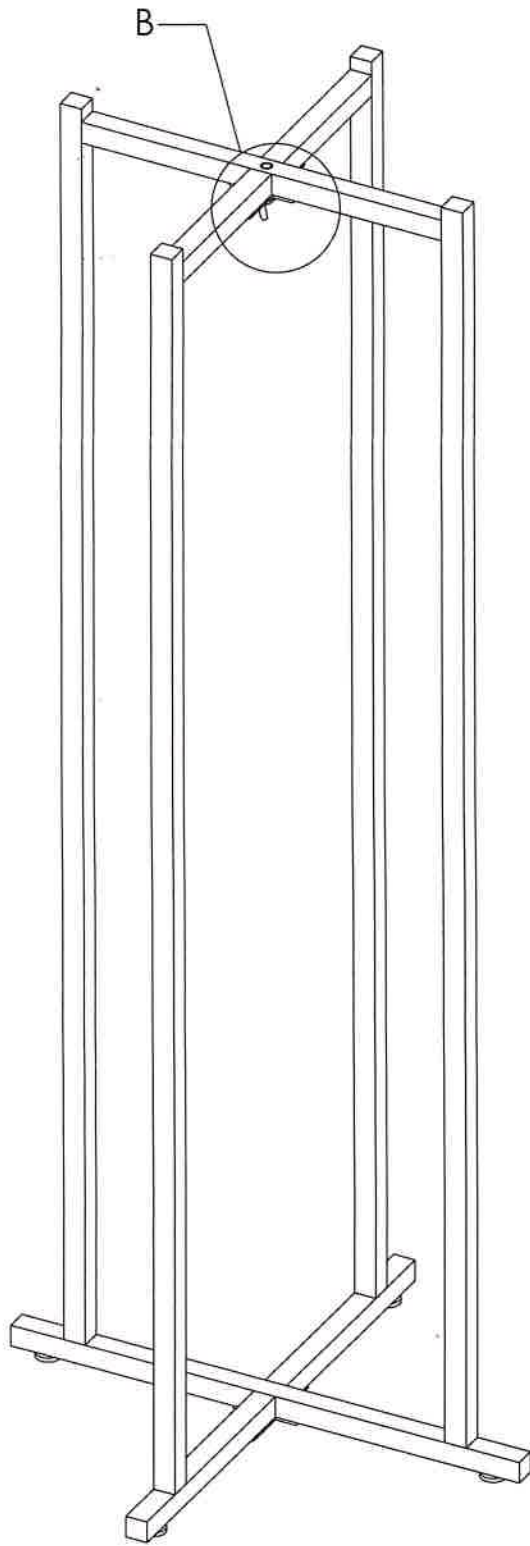


1 UNSCREW WING-NUT & UNFOLD



2

SCREW IN WING-NUT
AFTER UNFOLDING