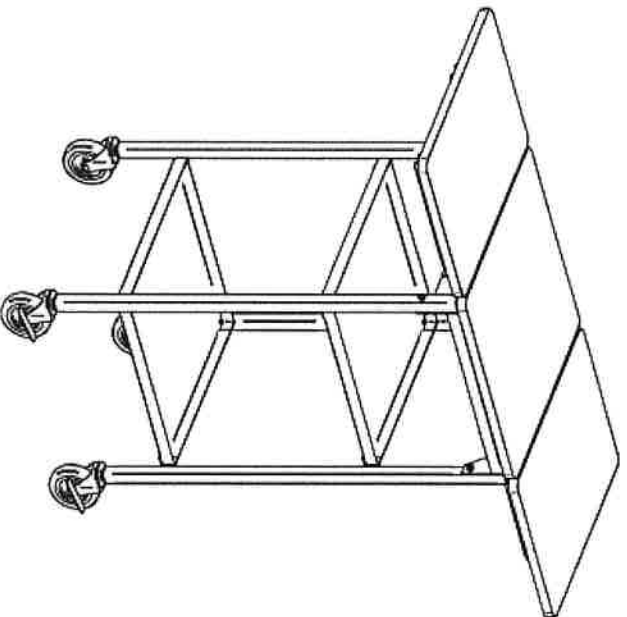
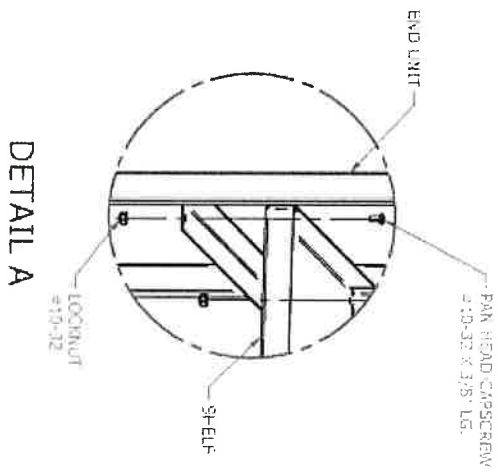
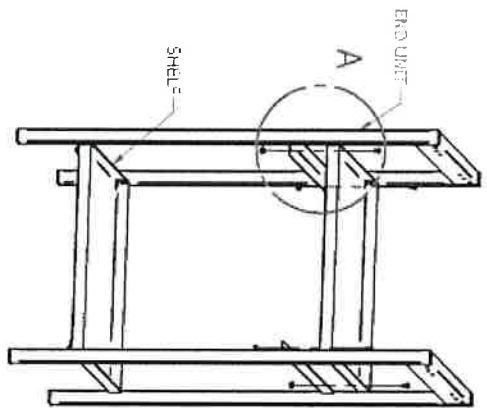


PALAY DISPLAY ITEM NUMBER 5219

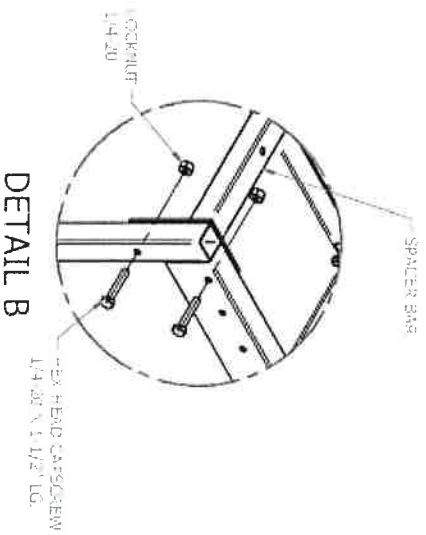
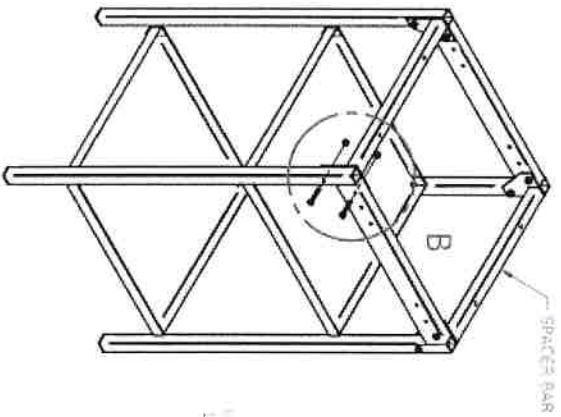


QTY.	DESCRIPTION
2	END UNIT
2	SHELF
2	SPACER BAR
8	PAN HEAD CAPSCREW, #10-32 X 3/8" LG.
16	HEX HEAD CAPSCREW, 1/4-20 X 1-1/2" LG.
4	HEX SLOT HEAD CAPSCREW, #10-24 X 1-1/2" LG.
8	LOCKNUT, #10-32
16	LOCKNUT, 1/4-20
1	TABLETOP
2	SINGLE FOLDING LEAF ASSEMBLY
2	WRENCH, OPEN END
2	CASTER, FRICTION STEM, SWIVEL
2	CASTER, FRICTION STEM, WITH BRAKE

**STEP 1 -  
INSTALL TWO SHELVES INTO TWO END UNITS USING EIGHT #10-32 CAPSCREWS/LOCKNUTS PROVIDED AS SHOWN.**

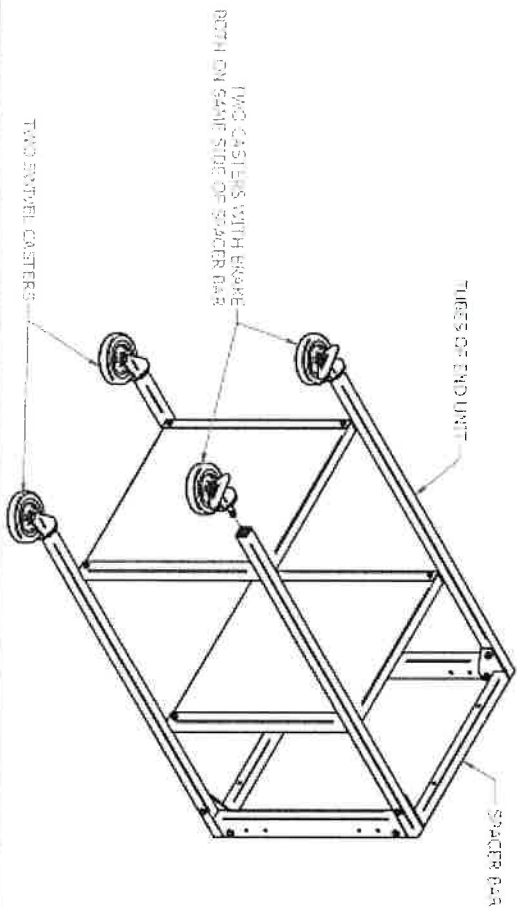


**STEP 2 -  
INSTALL TWO SPACERS INTO ABOVE UNIT USING EIGHT 1/4-20 CAPSCREWS/LOCKNUTS PROVIDED AS SHOWN.**



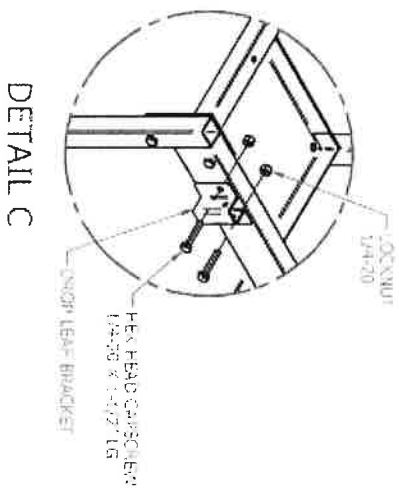
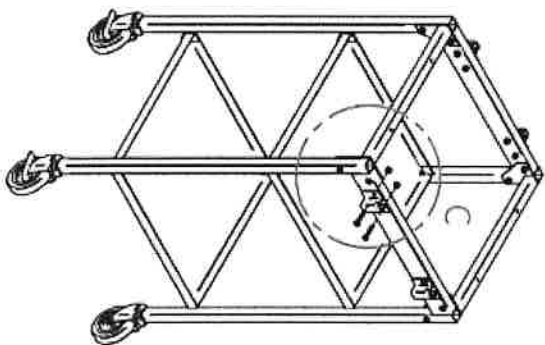
**STEP 3 -**

**TURN UNIT ON SIDE AS SHOWN. INSTALL CASTERS AS SHOWN. BE SURE TWO CASTERS WITH BRAKE ARE ON THE SAME SIDE OF ONE SPACER BAR & ALL CASTERS ARE FULLY SEATED AGAINST TUBES OF END UNIT.**

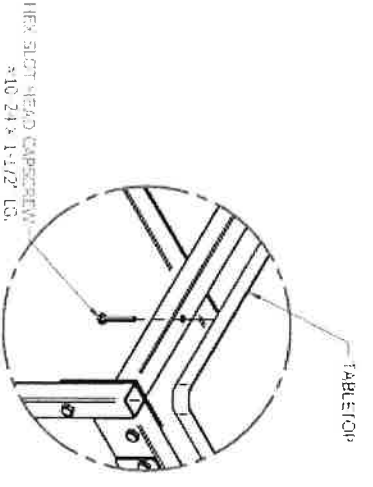
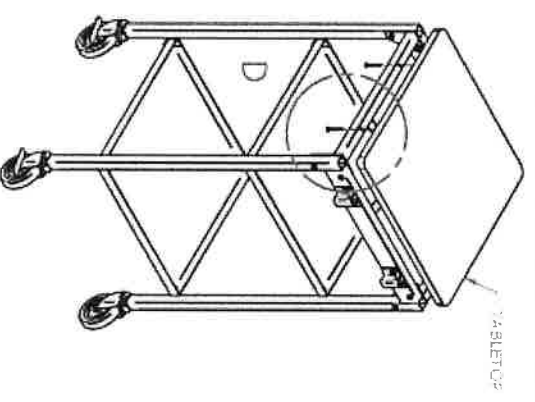


**STEP 4 -**

**TURN UNIT RIGHT SIDE UP AS SHOWN. INSTALL FOUR DROP LEAF BRACKETS INTO UNIT USING EIGHT 1/4-20 CAPSCREWS/ LOCKNUTS PROVIDED AS SHOWN.**



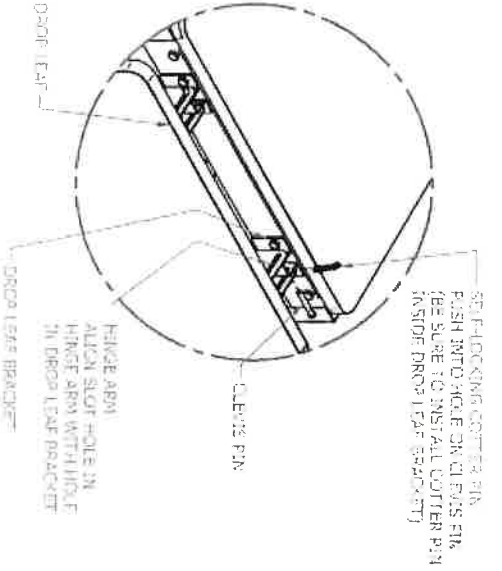
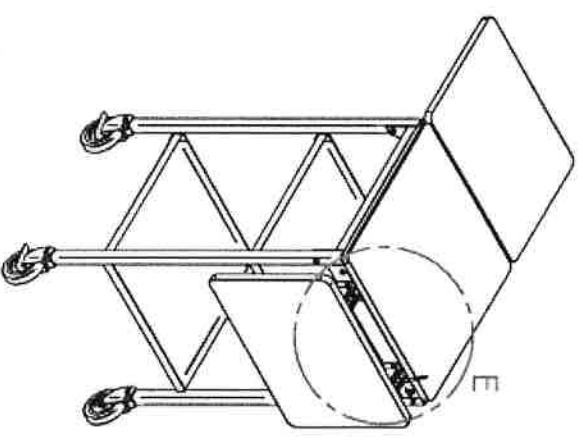
**STEP 5 -**  
**TURN UNIT RIGHT SIDE UP AS SHOWN.**  
**INSTALL TABLETOP USING FOUR #10-24 CAPSCREWS AS SHOWN.**



**DETAIL D**

HERA SLOT HEAD CAPSCREW  
 #10-24 x 1-1/2" L.G.

**STEP 6 -**  
**INSTALL SINGLE DROP LEAF ASSEMBLY.**  
**ALIGN SLOT HOLES IN HINGE ARMS WITH HOLES IN DROP LEAF BRACKETS & SECURE USING CLEVIS PINS & SELF-LOCKING COTTER PINS AS SHOWN.**  
**BE SURE TO INSTALL COTTER PINS INSIDE DROP LEAF BRACKET.**



**DETAIL E**