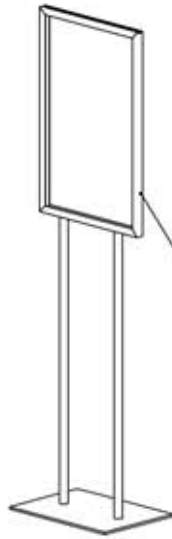
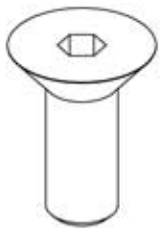


**ASSEMBLY  
INSTRUCTIONS FOR:  
2281B, 2281BX**



SIZE OF SIGN FRAME IS DIFFERENT BETWEEN ITEMS, BUT ASSEMBLY REMAINS THE SAME.

**INCLUDED HARDWARE**



2x

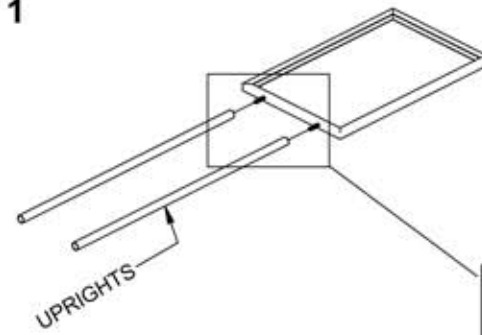
3/8"-16 x 1"  
CSK SOCKET HEAD  
CAP SCREW



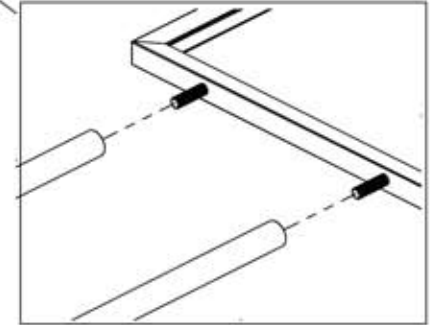
ALLEN KEY

1x

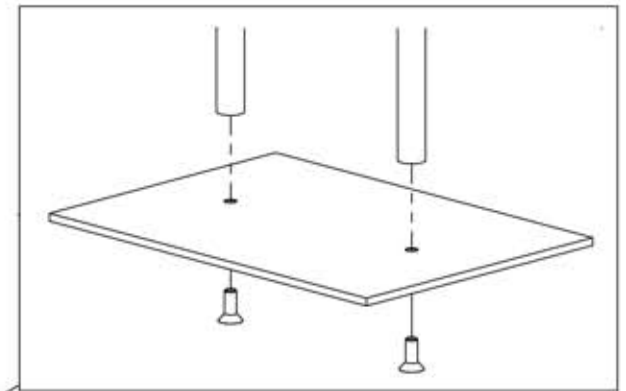
**1**



PLACE SIGN FRAME ON THE GROUND.  
ASSEMBLE UPRIGHTS AS SHOWN.



**2**



SCREW THE UPRIGHTS TO THE BASE.